

**TOTALLY  
DRAINABLE  
TRAILER**



**Crossover Tube Assembly Shown  
In Articulation Mode**



**Snap Pin Used When Switching  
Between Transport & Articulation Mode**



**UHMW Wear Plate On Rear Axle**

# FEATURES

- Eliminate the need for saddle tanks
- Telescoping tongue speeds hook-up with 1 1/8" draw bar pin
- Less filling means you can cover more acres per day with the same planter
- Save valuable time in the spring - Place all of your fertilizer beside the row for optimum root uptake
- 120" wheel tread standard, other widths optional
- Black frame with white tank and wheels.
- Depending on tire selection up to 27" ground clearance
- Axles pivot on greasable 5th wheels
- Built rugged for today's farm operations
- Allows you to fill your planter or toolbar on the go



- Use for herbicide, fertilizer or insecticide application
- All wheel steer so rear tires follow front tire tracks for tight turning radius
- Easy to pull and maneuver
- Use all season long during planting, side dressing, strip-till, or cultivating
- 8 bolt 6000 lb. hubs 3 spindles
- Front axle also pivots horizontally to relieve stress
- Tire options (Less soil compaction with wide foot print):

Row Spacing	Axle Spacing	Spacer
20" x 6 Rows	140"	10"
22" x 6 Rows	132"	6"
30" x 4 Rows	120"	None
36" x 4 Rows	144"	12"
40" x 4 Rows	160"	20"

**1000 gallon trailer:**  
- 12.5 L x 15 8-ply  
- 13.5 L x 16.1 6-ply

**1600 gallon trailer:**  
- 17.5 L x 24 10-ply  
- 12.5 L x 60 14-ply

**2000 gallon trailer:**  
- 19.5 L x 24 10-ply

**CALL FOR OPTIONS AND PRICING**

FM 3034



agspray.com

# PATRIOT PATHFINDER

Bakersfield, CA  
877.724.2236

Columbus, NE  
800.274.1025

Dothan, AL  
800.227.4098

Fargo, ND  
800.373.4084

Hopkinsville, KY  
800.637.7172

Mankato, MN  
800.722.9376

Newton, KS  
800.394.7662

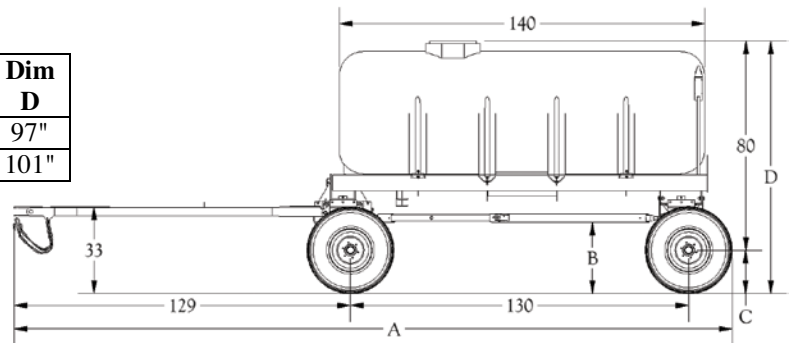
Pasco, WA  
800.634.2026

Tempe, AZ  
877.974.7166

	<b>1000 Gal Trailer</b>	<b>1600 Gal Trailer</b>	<b>2000 Gal Trailer</b>			
<u>Tank Colors</u> White with Black Trailer or Yellow with Green Trailer	1010 Gal Fully Drainable Leg Tank	1610 Gal Fully Drainable Leg Tank	1610 Gal Fully Drainable Leg Tank & 400 Gal Elliptical Tank			
Tire sizes	12.5 x 15 8 Ply Implement Tire	17.5L x 24 10 Ply	19.5L x 24 10 Ply			
	13.5 x 16.1 6 Ply	12.5 x 60 14 Ply 320/85R38 (metric equivalent)				
Rim Bolt Hole Pattern	6 bolt on 6" Circle	8 bolt on 8" circle				
Spindles	1 3/4" 3,500 lb	3" 6,000 lb				
Weight Rating on Trailer	14,000 lb	24,000 lb				
	<b>Row Spacing</b>	Axle Spacing	Spacer	<b>Row Spacing</b>	Axle Spacing	Spacer
	<b>20" x 6 Rows</b>	140"	10"	<b>36" x 4 Rows</b>	144"	12"
	<b>22" x 6 Rows</b>	132" Trailer offset 11"	6"	<b>40" x 4 Rows</b>	160"	20"
	<b>30" x 4 Rows</b>	120"	None			

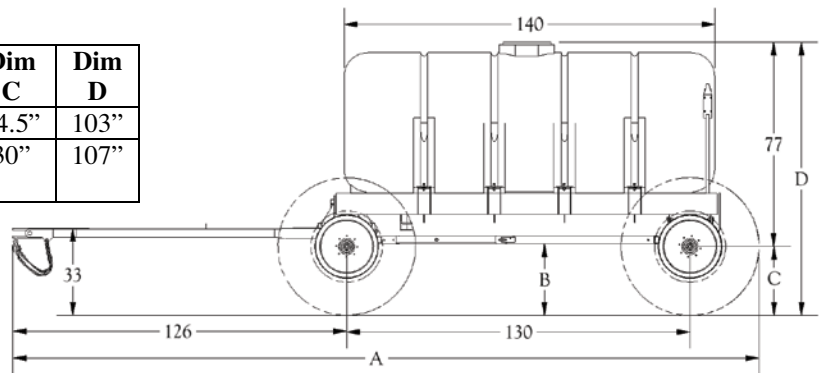
### 1000 GAL DIMENSIONS CHART

Tire Size	Tire Height	Tire Width	Dim A	Dim B	Dim C	Dim D
12.5 x 15 8 Ply	32"	12.4"	275"	27"	16"	97"
3.5 x 16.1 6 Ply	41"	13.5"	279"	31"	20.5"	101"



### 1600 GAL DIMENSIONS CHART

Tire Size	Tire Height	Tire Width	Dim A	Dim B	Dim C	Dim D
17.5L x 24 8 Ply	49"	17"	281"	27"	24.5"	103"
12.5 x 60 14 Ply 320/85R38(metric)	58.8"	12.6"	285"	31"	30"	107"



### 2000 GAL DIMENSIONS CHART

Tire Size	Tire Height	Tire Width	Dim A	Dim B	Dim C	Dim D
19.5L x 24 10 Ply	52"	19"	327"	27"	26"	103"

