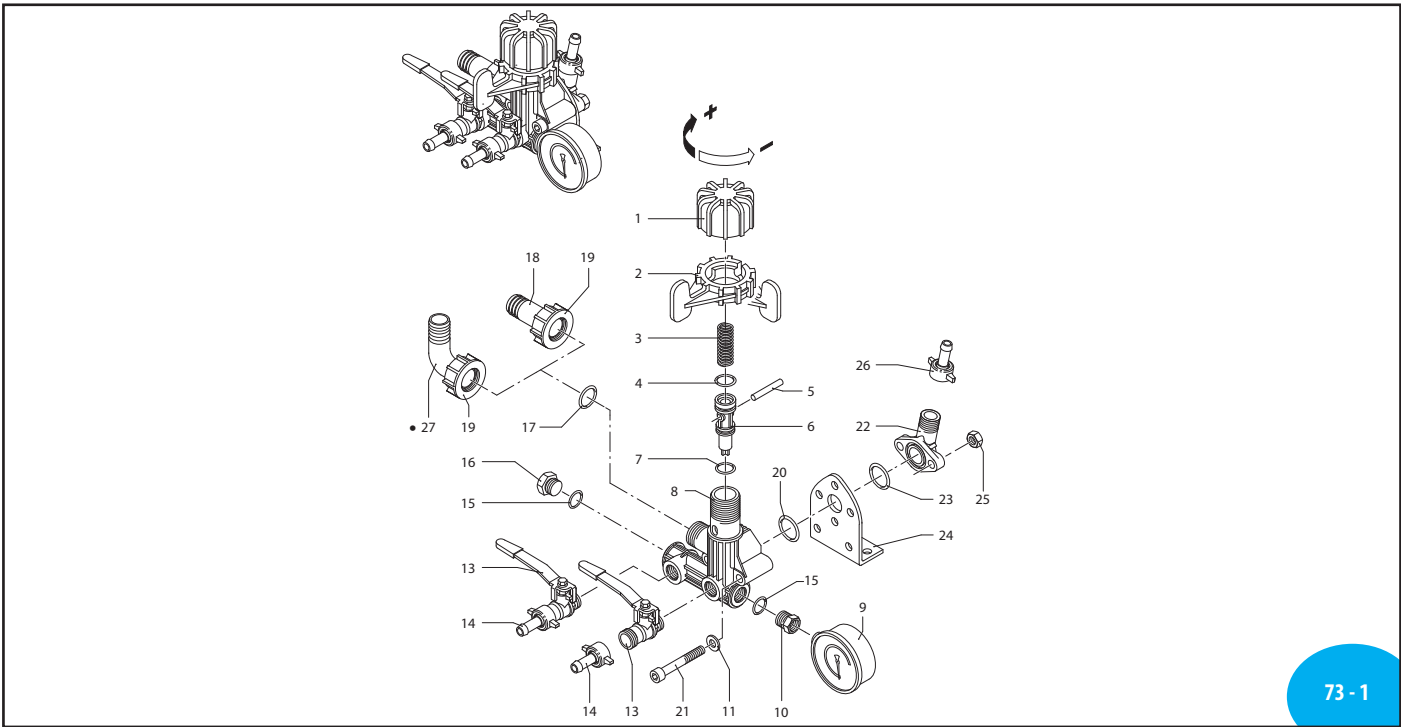


A.R. NORTH AMERICA GR 20 S



Pos	Code	Description	Qty	Note
1	1880220	Knob	1	
2	1880210	Ring nut	1	
3	1880331	Spring	1	
4	480441	O-ring	1	Viton
5	1880240	Pin	1	
6	1889201	Shutter	1	
7	1880260	O-ring	1	$\varnothing 15.08 \times 2.62$
8	1880200	Valve body	1	
9	391240	Pressure gauge	1	
10	1880250	Fitting	1	T90*
11	390311	Washer	2	
13	1880491	Ball valve	2	3/8" G - 1/2" G M-M DX red lever
14	110131	Ring nut / HB	2	1/2" x 3/8"
14	110130	Ring nut / HB	2	1/2" x 1/2" Optional
15	740290	O-ring	2	$\varnothing 14 \times 1.78$
16	2841240	Plug	1	3/8" G plastic T90*
17	880830	O-ring	1	$\varnothing 15.54 \times 2.62$
18	800342	Hose tail	1	$\varnothing 16$
19	550450	Ring nut	1	3/4" G
20	1140450	O-ring	1	$\varnothing 20.24 \times 2.62$
21	1880310	Screw	2	TCEI M8x65 T90*
22	450145	Flange	1	
23	550350	O-ring	1	$\varnothing 23.81 \times 2.62$
24	320406	Bracket	1	
25	390270	Nut	2	M8 T90*
26	110130	Ring nut	1	1/2"
27	550460	Elbow	1	$\varnothing 18$

● Not part of GR 20

* Torque: in-lbs +/- 10%

Control units