



DURA PRODUCTS

Technology with Lasting Value

Transfer Pump Manual DP-6000



The DURA-PUMP™ 6000 Series (DP-6000) Transfer Pump is a 12 Volt DC or 110 Volt AC, non-UL rated, self-priming, positive-displacement diaphragm pump. It is designed for non-flammable fluid transfer and recirculation. The pump includes a 20' power cord with alligator clips and an inline fuse. The pump features a 1-inch NPT inlet and a 1-inch NPT discharge port.

The information outlined by this manual is general and is not meant to be absolute. The DP-6000 pump is intended for intermittent duty. Be certain the pump materials will be compatible with the fluid being pumped. If unsure of the chemical compatibility with a given elastomer or the motor's intended design, please call DURA PRODUCTS for assistance.

FEATURES

- Self-Priming, positive displacement
- Chemically-resistant materials of construction
- Ability to handle high to low viscosity liquids

MATERIALS OF CONSTRUCTION

Upper Housing	Polypropylene
Bottom Housing	Polypropylene
Valves (DP-6000)	Stainless Steel & PVDF (Kynar®)
O-ring	EPDM*, Viton® or Silicone
Diaphragm (1)	Santoprene™
Cartridge	Polyphenylene Sulfide (PPS)

*Not in fluid path

CAUTION

CAUTION: DO NOT use to pump flammable liquids. Never operate the pump in an explosive environment. Arcing from the motor brushes or excessive heat from an improperly cycled motor may cause an explosion.

CAUTION: DO NOT assume fluid compatibility. If the fluid is improperly matched to the pump's elastomers, a leak may occur.

CAUTION: DO NOT operate the pump at pressures which cause the motor to exceed the amperes rating. DO NOT operate the pump at voltages which exceed the voltage rating. Operating the pump beyond the indicated ratings may cause the motor to overheat.

FLUSHING

If pump is to not be used for an extended period of time, it is suggested to flush any chemicals from the pump with fresh water. Flushing the pump will ensure a long, problem-free life and easy start-up when the pump is needed again.

NOTE: DO NOT flush with petroleum-based chemicals. Use only water to flush the DP-6000 Chemical Transfer pump.

NOTE: Be sure to properly dispose of the contaminated rinse water.

DP-6000 USAGE INSTRUCTIONS

1. Be sure to use thread sealant for any and all connections made to the pump.
2. Connect appropriate size and length of tubing for current application.
3. Ensure all connections are tight.
4. Ensure the power switch on the pump is in the OFF position.
5. Connecting to Power Source:
 - 12V: Connect battery clips to the appropriate power source.
 - 110V: Plug power cord into a GFCI outlet.

NOTE: The RED wire is the positive (+) 12 Volt connection. The BLACK wire is the negative (-) 12 Volt connection.

12 VOLT BATTERIES CAN PRESENT A HAZARDOUS, EXPLOSIVE ENVIRONMENT. BEFORE MAKING ANY BATTERY CONNECTIONS, ASSURE PUMP SWITCH IS IN THE OFF POSITION. ASSURE PUMP'S BATTERY CONNECTIONS ARE TIGHT BEFORE OPERATING PUMP.

6. Once the system is ready, turn the power switch to the ON position.
7. Operate pump until no longer needed.
8. When complete, be sure to turn the power switch to the OFF position.

MANUFACTURER'S TWO (2) YEAR LIMITED PRORATED WARRANTY

DURA PRODUCTS, INC. (DURA PRODUCTS) warrants its Pump to be free of defects in materials and workmanship under normal use and service for a period of two years (24 months) from the original manufacture date. Manufacturer's sole obligation under the foregoing warranty will be limited to either, at Manufacturer's option, replacing or repairing defective Goods (subject to limitations hereinafter provided) or refunding the prorated purchase price for such Goods theretofore paid by the Buyer, and Buyer's exclusive remedy for breach of any such warranties will be enforcement of such obligations of Manufacturer.

Should the pump be deemed by Dura Products Inc to be non-repairable it will be replaced, or a credit provided for the cost calculated by the following formula: The number of months since the original manufacture date is divided by 24; the result is multiplied by the invoiced price for the pump at the time of purchase. The replacement cost does not include the cost of shipping and any taxes. Warranty claims must be submitted directly to DURA PRODUCTS and include a full description that clearly states the area(s) of claimed failure. If Manufacturer so requests the return of the Goods, the Goods will be redelivered to Manufacturer in accordance with Manufacturer's instructions F.O.B. Factory. The repaired or replaced pump carries no further expressed or implied warranty.

The remedies contained herein shall constitute the sole recourse of the Buyer against Manufacturer for breach of warranty. IN NO EVENT SHALL MANUFACTURING BE LIABLE FOR CONSEQUENTIAL DAMAGES, NOR SHALL MANUFACTURER'S LIABILITY ON ANY CLAIM FOR DAMAGES ARISING OUT OF THE MANUFACTURE, SALE, DELIVERY OR USE OF THE GOODS EXCEED THE PURCHASE PRICE OF THE GOODS. The foregoing warranties will not extend to Goods subjected to misuse, neglect, accident or improper installation or maintenance, or which have been altered or repaired by anyone other than Manufacturer or its authorized representative.

Buyer agrees to indemnify, defend and hold harmless Manufacturer, its directors, officers, employees, agents, contractors, representatives, shareholders and affiliates against any loss, damage or liability (including legal costs on a full indemnity basis) which may be sustained or incurred as a consequence of Buyer's use or misuse of Goods, whether the use of misuse is attributable to Buyer or to some other person using Goods with or without Buyer's permission. THE FOREGOING WARRANTIES ARE EXCLUSIVE AND IN LIEU OF ALL OTHER WARRANTIES OF MERCHANTABILITY, FITNESS FOR PURPOSE OF ANY OTHER TYPE, WHETHER EXPRESS OR IMPLIED. No person may vary the foregoing warranties and remedies except in writing signed by a duly authorized officer of Manufacturer. Warranties or remedies that differ from the foregoing shall not otherwise be binding on Manufacturer. The Buyer's acceptance of delivery of the Goods constitutes acceptance of the foregoing warranties and remedies, and all conditions and limitations thereof.

The validity, construction and enforcement of, and the remedies under, this limited warranty shall be governed by the laws of the State of Indiana. Jurisdiction and venue shall properly lie exclusively in the State of Indiana, in and for Hamilton County, Indiana, with respect to any legal proceedings arising from this limited, prorated warranty or use of the products.

Written claim and pumps should be sent to:

DURA PRODUCTS, Inc.
504 Demoss Avenue / PO Box 380 / Arcadia, IN 46030
(317) 984-4003

REPAIRS AND RETURNS

For returns, warranty returns and repairs, call
317-984-4003 Monday through Friday, 8 am to 4 pm
to get proper shipping instructions.

DURA-PUMP™

PRODUCT SPECIFICATIONS



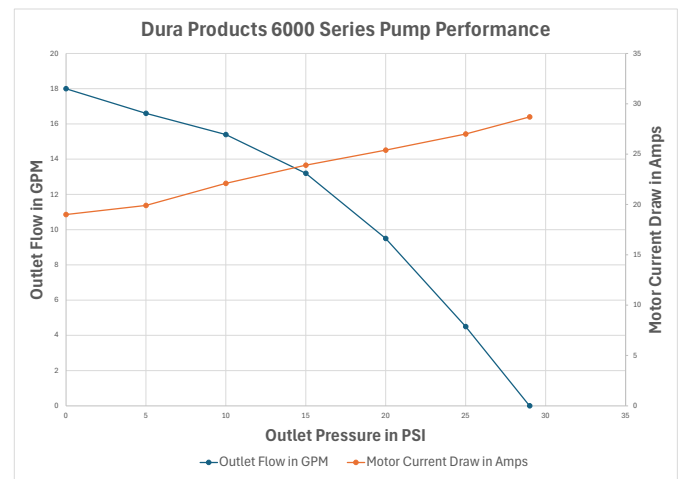
FEATURES

- High-Flow with up to 18GPM flow rate
- Self-priming diaphragm pump with internal by-pass
- Motor thermally protected from overheating
- 30 minute duty cycle
- Suction ports has 2" Male NPT and 1" Female NPT
- Pump is easily field serviceable
- Features 2 Year Service Warranty Plan

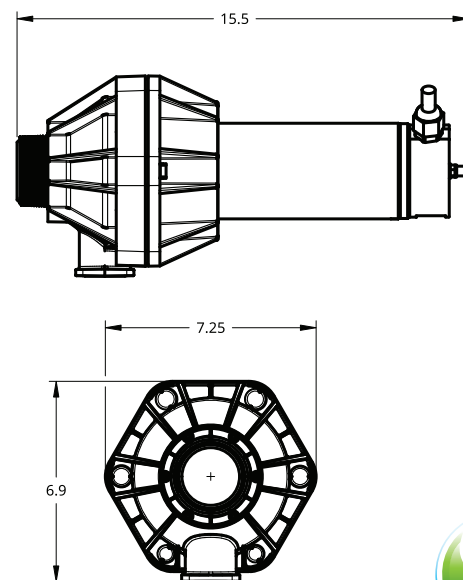
TECHNICAL INFORMATION

Series	DP-6000
Vertical Suction Lift	Self-priming to 10ft
Pump Type	Self-priming, Positive Displacement Diaphragm pump
Chemically Resistant	Yes
Thermal Overload Protection	Yes
Run-Dry Capability	Yes
Internal Bypass	Yes
Run Time	30 Minute Duty Cycle
Operating Temp	-10°F to -130°F
Flow Rate	Max: 18GPM
Discharge Pressure	Max: 25psi
Motor Enclosure	Sealed
Suction Port	2" Male and 1" Female NPT thread
Discharge Port	1" Female NPT thread
Upper Housing	Glass-filled Polypropylene
Bottom Housing	Glass-filled Polypropylene
Diaphragm	Santoprene
Fluid	Non-flammable
Power Cord	12 Volt: 20ft, 6m; 110 Volt: 6.5ft, 2m
Wetted Material	Polypropylene; 304 Stainless Steel; Santoprene; EPDM, Silicone or Viton® Seals
12 Volt DC Motor	185 Watts 18.5 Amps; 30 Amp In-Line Fuse Copperplated Alligator Clips
110 Volt DC Motor	185 Watts 2.0 Amps; 3 Amp In-Line Fuse 3 Prong Grounded Plug
Motor HP	12 Volt: 1/4 HP; 110 Volt: 1/4 HP

PUMP PERFORMANCE

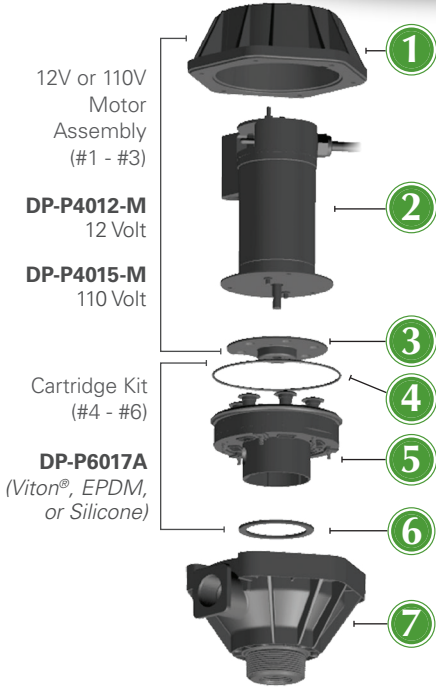


PUMP DIMENSIONS



DURA PRODUCTS
Technology with Lasting Value
www.DuraProducts.com
Arcadia, IN 46030 | (317) 984-4003

DURA-PUMP™



12V or 110V
Motor
Assembly
(#1 - #3)

DP-P4012-M
12 Volt

DP-P4015-M
110 Volt

Cartridge Kit
(#4 - #6)

DP-P6017A
(Viton®, EPDM,
or Silicone)

- 1** Upper Housing
DP-P4002A
- 2** 12V or 110V Motor
- 3** Wobble/Drive Plate **DP-P6013D**
- 4** O-ring
DP-P4004AO (Viton®, EPDM, or Silicone)
- 5** Cartridge
DP-P6017A (Viton®, EPDM, or Silicone)
- 6** Bottom Gasket
DP-P4001AG (Viton®, EPDM, or Silicone)
- 7** Bottom Housing
DP-H4001A (Viton®, EPDM, or Silicone)

- High-Flow with up to 18GPM/68LPM flow rate; a 20% improvement in flow rate over our previous pump
- Newly redesigned, simplified cartridge for easier serviceability
- Self-priming diaphragm pump with internal by-pass
- Motor thermally protected from overheating
- 30-minute duty cycle
- Suction port has 2" Male NPT and 1" Female NPT
- Includes a 2-year Warranty & Maintenance Program

SPECIFICATIONS	
Vertical Suction Lift	Self-priming to 10ft, 3m
Power Cord	12 Volt: 20ft, 6m; 110 Volt: 6.5ft, 2m
Motor	¼ HP, 186W
Amps	12 Volt: 20; 110 Volt: 3.0
Suction Port	2" Male and 1" Female NPT thread
Discharge Port	1" Female NPT thread
Wetted Materials	Polypropylene; Santoprene; Viton®, EPDM, or Silicone seals; 304 Stainless Steel, PVDF (Kynar®)

ORDERING INFORMATION	
12 VOLT	110 VOLT
DP-6018V-12 Viton®	DP-6018V-110 Viton®
DP-6018E-12 EPDM	DP-6018E-110 EPDM
DP-6018S-12 Silicone	DP-6018S-110 Silicone

Always turn pump off and disconnect system from power when not in use.