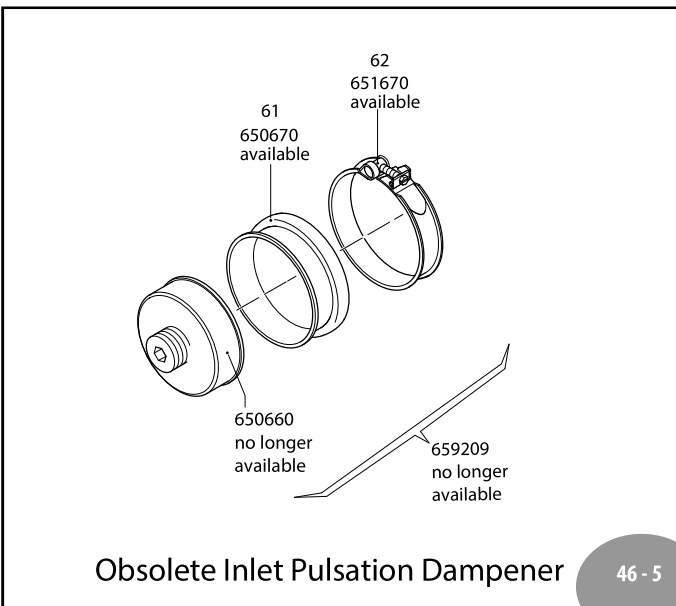
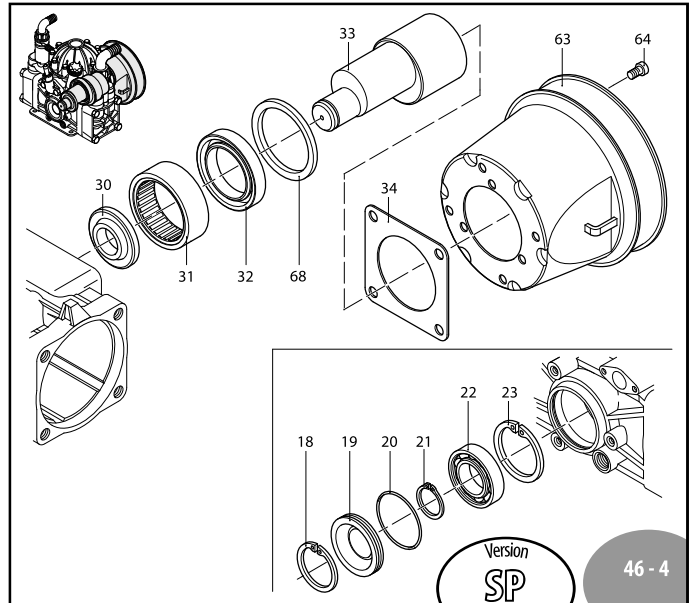
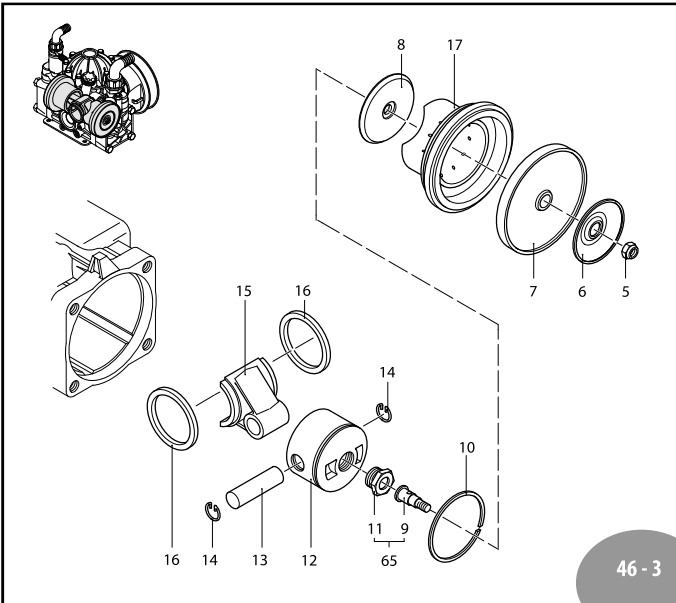
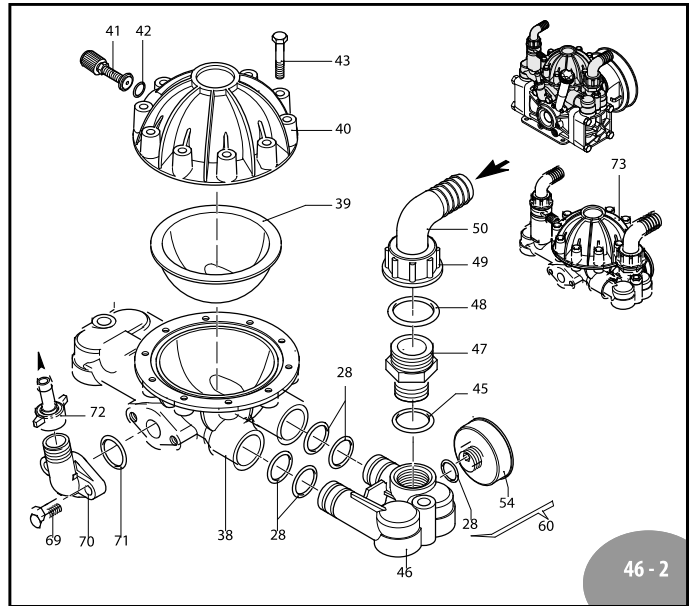
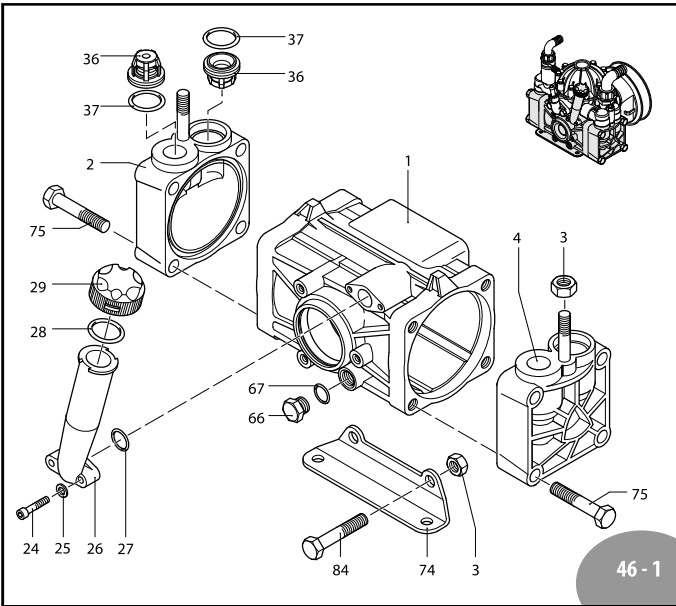


# A.R. NORTH AMERICA

## AR 50



# AR 50

	SP	SP/A1	GR3/4-GCI	GRI-GCI
AR50	31736	31737	33132	31739

Pos	Code	Description	Qty	Note
1	650011	Pump body	1	
2	650102	Head	1	
3	320130	Nut M12	4	T445*
4	650101	Head	1	
5	160311	Nut M8	2	SS T180*
6	650390	Retaining washer	2	
7	650081	Diaphragm	2	Viton
	650082	Diaphragm	2	NBR
	650085	Diaphragm	2	Desmopan
	650080	Diaphragm	2	BlueFlex™
8	650090	Retaining washer	2	
9	650320	Hub pin	2	
10	650190	Piston ring	2	
11	650061	Bushing	2	
12	650121	Piston Ø 63	2	
13	650071	Pin	2	
14	160691	Ring circlip Øi 18	4	
15	650142	Connecting-rod	2	
16	650130	Ring connecting rod	2	
17	650111	Sleeve	2	
18	200390	Ring circlip Øi 62	1	
19	650040	Cover	1	
20	650920	O-ring Ø 53.65x2.62	1	
21	650480	Ring circlip Øe 30	1	
22	230330	Bearing	1	
23	161050	Ring circlip Øi 72	1	
24	850850	Bolt TCEI M6x30	2	T90*
25	550331	Washer	2	
26	650030	Oil sight glass	1	
27	180101	O-ring Ø 17.5x2	2	
28	550040	O-ring Ø 26.62x2.62	5	
29	550050	Plug	1	
30	650160	Spacer	1	
31	650200	Bearing	1	
32	1400150	Ring seal	1	
33	650170	Shaft marked S	1	
34	1400140	Flange	1	
35	961340	Washer	1	
36	659050	Valve	4	
37	320030	O-ring Ø 31.5x4.5	4	
38	650180	Semi air chamber lower	1	
	659204	Semi air chamber	1	See ●
39	650520	Diaphragm pulsation dampener	1	NBR
	650523	Diaphragm pulsation dampener	1	BlueFlex™
40	650230	Semi air chamber upper	1	Red
41	180020	Air valve	1	
42	650542	Gasket	1	
43	621780	Bolt TE M8x40	10	T180*
45	390290	O-ring Ø 29x3	1	

Pos	Code	Description	Qty	Note
46	650150	Manifold	1	
47	450120	Fitting 1" G - 1" 1/4 G M-M	1	
48	390290	O-ring Ø 29x3	1	
49	580060	Ring nut 1" 1/4 G	1	
50	580040	Elbow 1 1/4"	1	
51	650250	Key	1	For 650171
53	650171	Shaft marked T	1	Ø 25 mm
	650178	Shaft marked U	1	Ø 25.4 mm
	650179	Shaft marked V	1	Ø 30 mm
54	659213	Inlet pulsation dampener	1	
56	650300	Coupling	1	For 650171
57	680350	Bolt TCEI M8x35	1	T180*
58	650490	Ring seal	1	
59	650041	Cover	1	
60	46730	Inlet pulsation dampener assembly	1	
61	650670	Diaphragm	1	NBR
	650671	Diaphragm	1	BlueFlex™
62	651670	Clamp	1	
63	1500350	Shield	2	
64	820670	Bolt TCEI M10x16	4	T90*
65	659080	Bushing complete	2	
66	880530	Plug 3/8" G	1	T180*
67	740290	O-ring Ø 14x1.78	1	
68	1400110	Ring	1	
69	540290	Bolt TCEI M8x25	2	T180*
70	450145	Flange	1	
71	550350	O-ring Ø 23.81x2.62	1	
72	110130	Ring nut 1/2"	1	
73	43518	Accumulator Assy	1	BlueFlex™
	1523	Accumulator Assy	1	NBR
74	320392	Base	2	
75	750060	Bolt TE M12x65	8	T445*
81	380241	Washer	3	
82	1200521	Spacer	3	
83	680350	Bolt TCEI M8x35	3	T90*
84	750060	Bolt TE M12x65	2	T265*
86	330170	Plug Lower Air Chamber	1	Not shown
87	180101	O-Ring for lower air chamber plug	1	Not shown

● With plug and o-ring for version without safety valve.

\* Torque: in-lbs +/- 10%

Medium pressure

<b>AR 43290</b> Buna diaphragms	
<b>AR 43293</b> BlueFlex™ diaphragms	
<b>AR 43291</b> Desmopan diaphragms	
Pos.	Qty
7	2
37	4
39	1

<b>AR 1920</b> Valves	
Pos.	Qty
36	4
37	4

<b>AR 1919</b> O-Rings	
Pos.	Qty
20	1
27	2
28	5
37	4
42	1
45	1
67	1
71	1

<b>Suggested oil</b>	
Type	Oz
AR64532D	32
Crankcase Oil Capacity 36 oz	