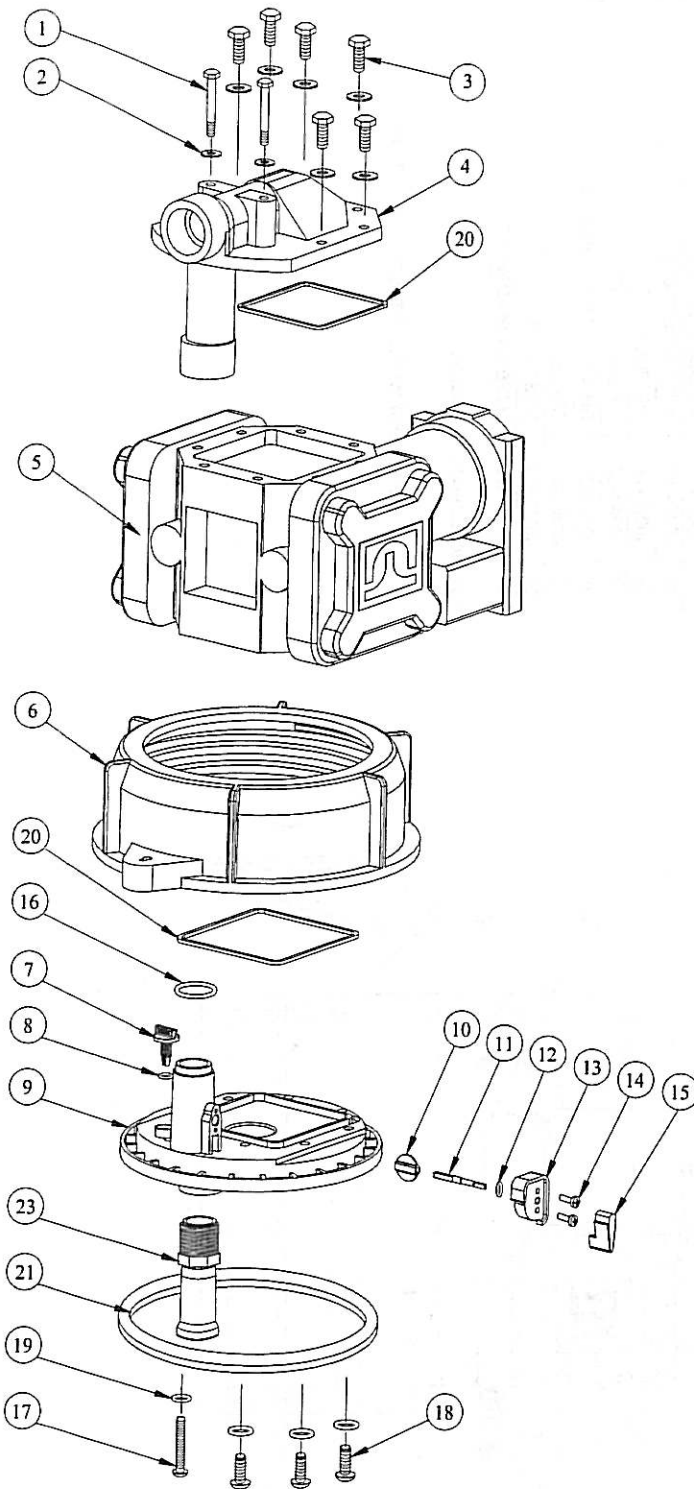
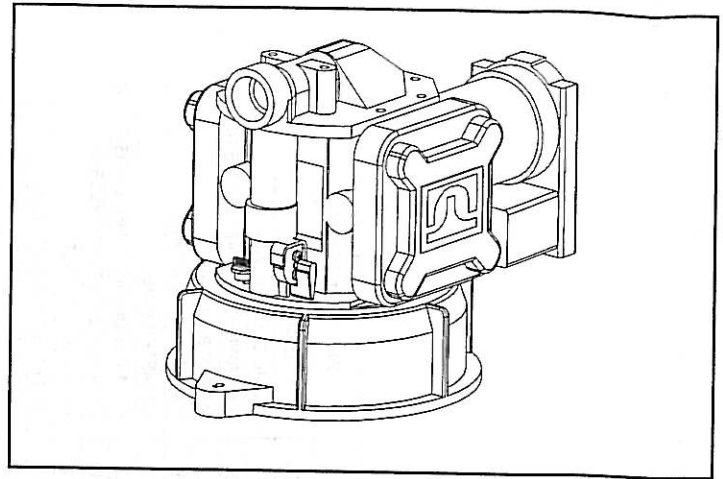


Model 445 (DC), 485 (AC)

MIX & GO®



445F1622 DC PUMP SUBASSEMBLY 445G8061 AC PUMP SUBASSEMBLY			
ITM. NO.	PART NO.	DESCRIPTION	QTY.
1	400F6817	1/4-20 x 2 1/2" Bolt	2
2	400F6793	1/4 Washer	8
3	400F6792	1/4-20 x 3/4" Bolt	6
4	400F0183	Outlet Flange	1
5		Basic Ag Pump 445 AC	1
		Basic Ag Pump 485 AC	opt
6	400F1525	Snyder Gem Cap	1
7	445F1634	Vent Assembly with O-Ring	1
8	445F1635	Vent O-Ring (Included w/item 7)	1
9	445F1587	Inlet Flange	1
10	440F1592	Valve	1
11	445F1609	Shaft	1
12a	800F4036	O-Ring	1
12b	800F4034	O-Ring EPDM	opt
13	440F1589	Bushing	1
14	445G9008	Screw	2
15	440F1588	Handle	1
16a	442F0214	O-Ring	1
16b	445G9113	O-Ring EPDM	opt
17	445F1610	Long Phillips Screw	2
18	400F0267	Short Phillips Screw	6
19	900F8159	O-Ring	8
20	400F6924	Gasket	2