



Frame Mounted Centrifugal Pump



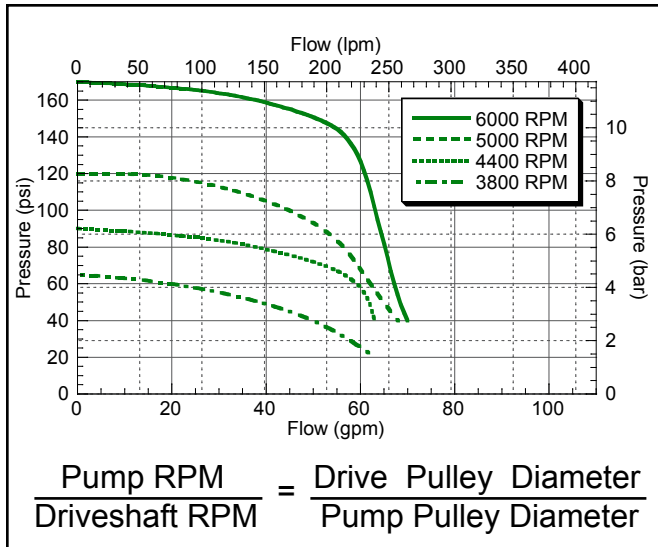
FMC-CW

- Suction 1-1/4" - Discharge 1"
- Clockwise Rotation when Facing Shaft End
- Stainless Steel Shaft and Wear Ring
- Chemical Resistant Valox® or Optional Cast Iron Impeller
- Standard Viton® Carbon/Ceramic seal or Optional Severe Duty Silicon Carbide Mechanical Seal

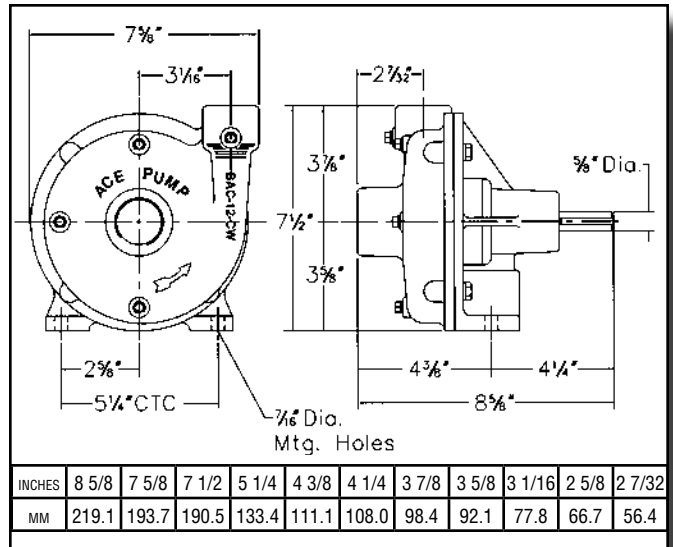
® Valox is a registered trademark of GE Plastics.

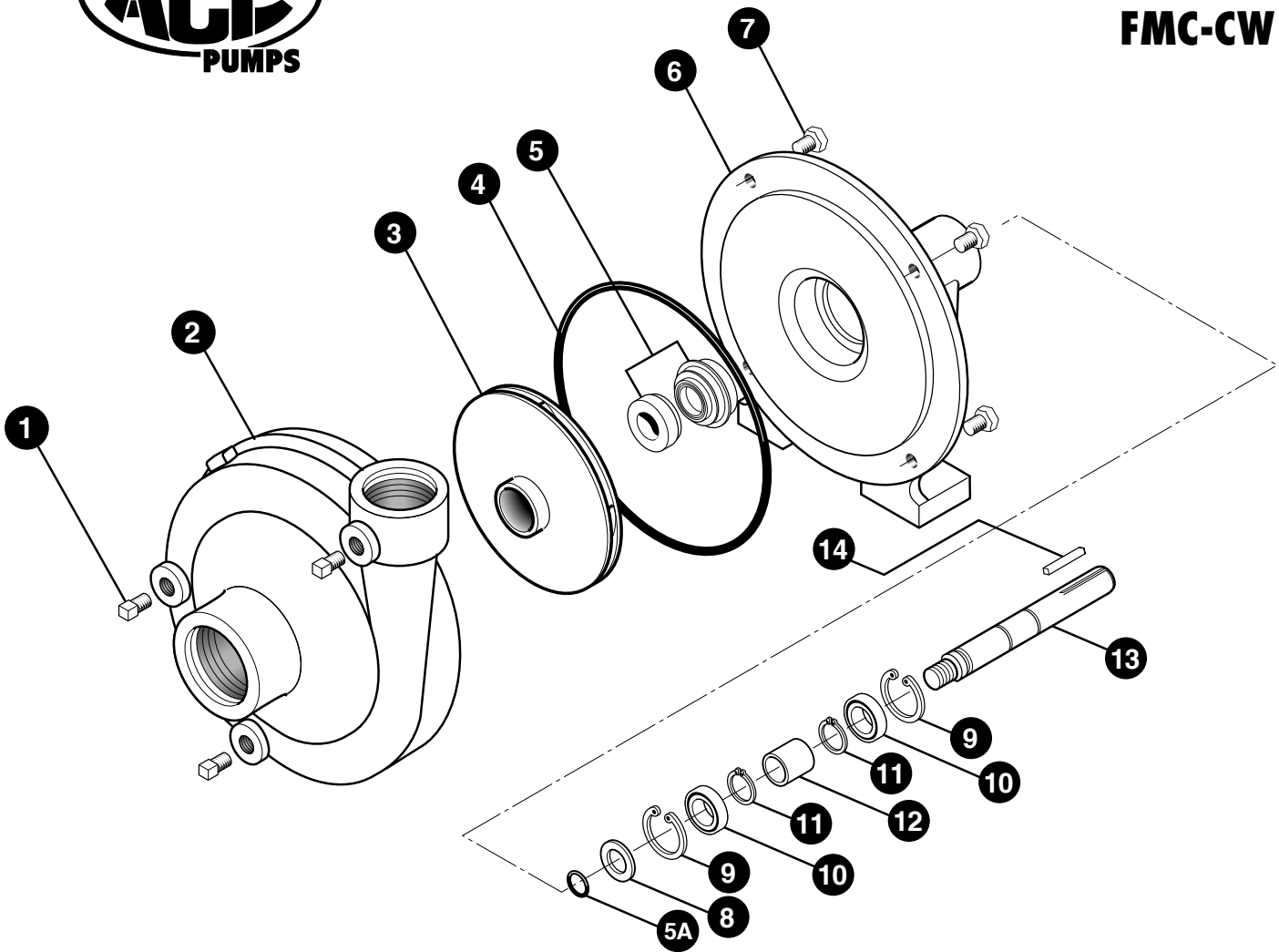
® Viton is a registered trademark of DuPont Dow Elastomers.

PERFORMANCE CHART



DIMENSIONS





REF. #	PART #	EDP #	DESCRIPTION	REQ.
1	BAC-53	41110	Pipe plug, 1/8" NPT	3
1	41120	41120	Pipe plug, 1/8" NPT, stainless steel (optional)	3
2	BAC-12-CW	40253	Volute, 1-1/4" x 1", cast iron	1
3	BAC-26-CW-150-P	41510	Impeller, Valox, right hand NF thread	1
3	BAC-26-CW-150-CI	41515	Impeller, cast iron, right hand NF thread (optional)	1
4 ^{①②}	BAC-4A	40005	"O" Ring for BAC-12-CW volute seal	1
5 ^①	BAC-7V	40151	Seal, Viton mechanical seal, includes 40160 "O" ring	1
5 ^②	BAC-7SC	40152	Seal, Silicon carbide mechanical seal, includes 40160 "O" Ring (optional)	1
5A ^{①②}	40160	40160	"O" Ring for BAC-6 shaft	1
6	BAC-14-F	40310	Mounting frame	1
7	40930	40930	Cap screw, 3/8" NC x 3/4" Hex head, stainless steel (optional)	4
7	40950	40950	Cap screw, 3/8" NC x 3/4" Hex head	4
8	BAC-54	41130	Slinger	1
9	BAC-33	40810	Snap ring, internal, BAC-14 mounting frame	2
10	BAC-37	40870	Bearing, BAC-6 driven shaft	2
11	BAC-32	40790	Snap ring, external, BAC-6 driven shaft	2
12	BAC-32-S	40795	Spacer for BAC-6 shaft	1
13	BAC-6-CW	41480	Shaft, 5/8" Driven shaft, right hand NF thread (optional)	1
13	BAC-6-CW-SS	41500	Shaft, 5/8" Driven shaft, right hand NF thread, stainless steel	1
14	BAC-50	41080	Key, 3/16" x 3/16" x 1-1/4"	1
①	RK-FMC	52700	Repair kit for FMC series	-
②	RK-FMCSC	52706	Repair kit for FMC series with silicon carbide seal	-