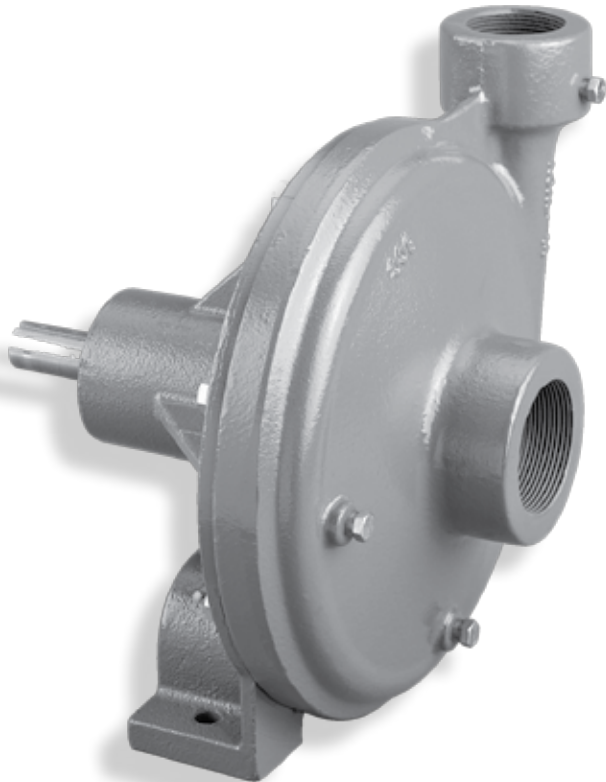




High Performance Frame Mounted Centrifugal Pump

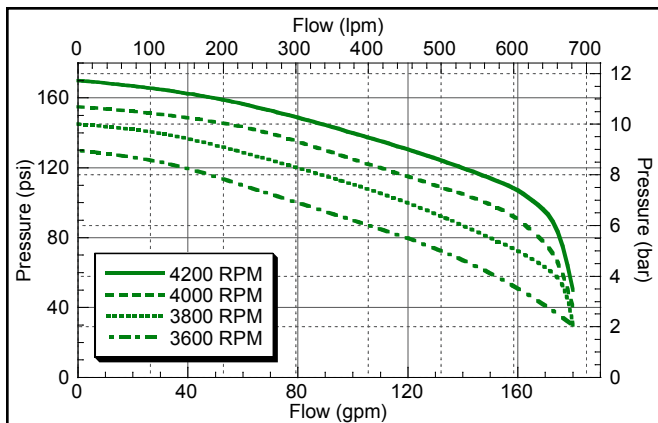


FMC-CW-800

- Suction 2" Discharge 1-1/2"
- Larger diameter impeller allows higher pressures at slower speeds
- Easily replaceable mechanical seal cartridge
- Standard Viton® Carbon/Ceramic seal or Optional Severe Duty Silicon Carbide Mechanical Seal
- All iron construction
- Heavy duty double row ball bearings
- Clockwise Rotation when facing shaft

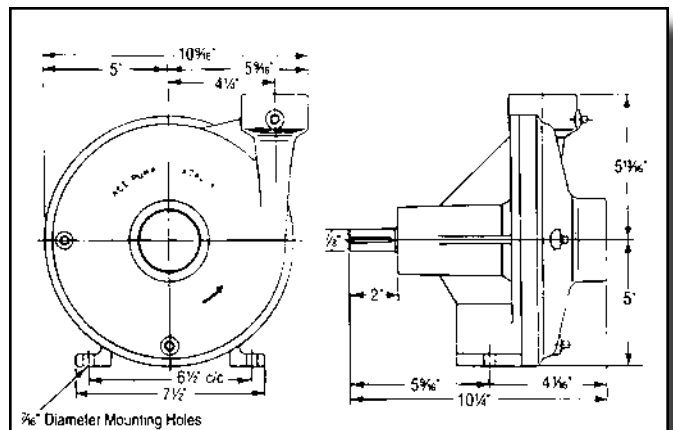
© Viton is a registered trademark of DuPont Dow Elastomers.

PERFORMANCE CHART

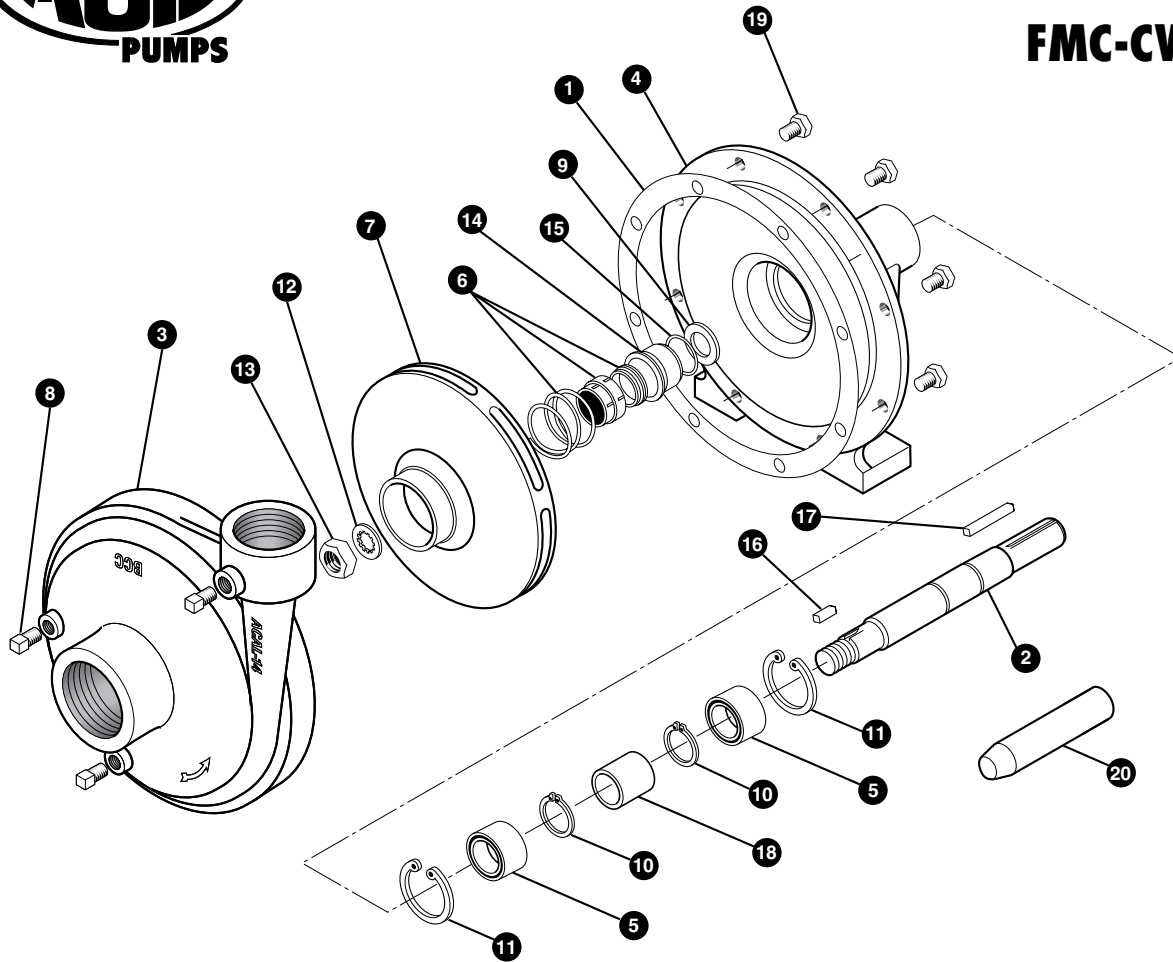


$$\frac{\text{Pump RPM}}{\text{Driveshaft RPM}} = \frac{\text{Drive Pulley Diameter}}{\text{Pump Pulley Diameter}}$$

DIMENSIONS



INCHES	10.563	10.25	7.5	7.125	6.5	5.813	5	4.625	4.25	2.5
MM	268.3	260.4	190.5	181.0	165.1	147.6	127.0	117.5	108.0	63.5



REF. #	PART NO.	EDP NO.	DESCRIPTION	REQ.
1 ^{①②}	ACAL-4	30009	"O" ring for ACAL-14 volute seal	1
1	9000	31130	Gasket, 8 hole, obsolete Jan. 96	1
2	ACAL-6-SS-A	30017	Shaft, stainless steel	1
3	ACAL-14	30160	2" x 1-1/2" Volute	1
4	ACAL-15	30165	Mounting frame	1
5	ACAL-37-DRB	30179	Bearing, double row	2
6 ^①	TYPE 21-984	30255	Seal, .984" type 21	1
6 ^②	TYPE 21-984-SC	30256	Seal, .984" type 21, silicon carbide (optional)	1
7	ACAL-26-75	30555	8" Impeller with keyway	1
8	BAC-53	41110	1/8" NPT pipe plug	3
8	41120	41120	1/8" NPT pipe plug, stainless steel (optional)	3
9	GE-54	42220	Slinger	1
10	ACAL-32	30174	External snap ring	2
11	BACG-33	45165	Internal snap ring	2
12	BACG-44-A	45191	9/16" Lockwasher, stainless steel	1
13	45195	45195	9/16" - 18 Lock nut, hex	1
14	BACG-90M	45270	Seal cartridge for mechanical seal	1
15 ^{①②}	73010	73010	"O" Ring for seal cartridge	1
16	41079	41079	3/16" x 3/16" x 1/2" Impeller key	1
17	BAC-50	41080	3/16" x 3/16" x 1-1/4" Shaft key	1
18	ACAL-32-S-A	30176	Spacer for ACAL-6 Shaft	1
19	40950	40950	3/8" NC x 3/4" hex head cap screw	8
19	40930	40930	3/8" NC x 3/4" cap screw, stainless steel (optional)	8
20	41472	41472	Bullet, seal installation tool	-
①	RK-FMC-CW-800	52715	Repair kit for FMC-CW-800 pump	-
②	RK-FMCSC-CW-800	52716	Repair kit for FMC-CW-800 pumps, silicon carbide shaft seal	-