



Magnetic Clutch Driven Centrifugal Pump



FMC-200-MAG

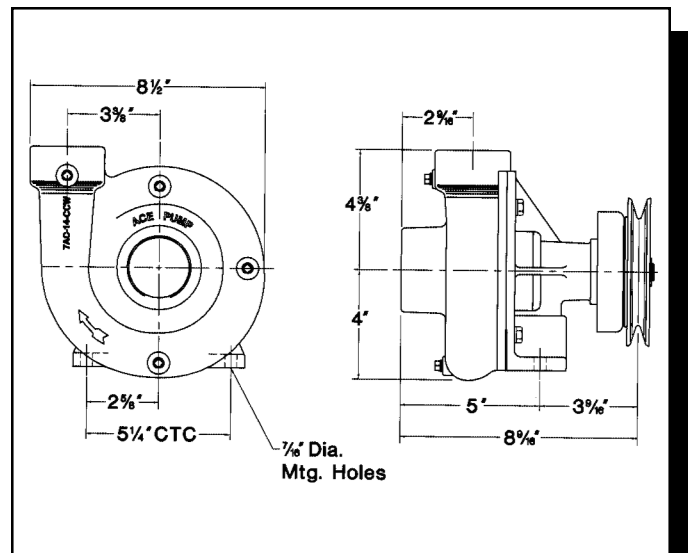
- Suction 2" - Discharge 1-1/2"
- Counterclockwise Rotation when Facing Pulley End
- Standard Viton Carbon/Ceramic seal or Optional Severe Duty Silicon Carbide Mechanical Seal
- Cast Iron Impeller
- Stainless Steel Shaft
- DC 12 Volt Magnetic Clutch Transmits up to 10HP at 4000 RPM
- 5-1/4" Drive Pulley Diameter
- Uses Standard A or B Section Belt

PERFORMANCE CHART

PUMP SHAFT RPM	20	30	40	60	80	100	MAX HP
	PSI	PSI	PSI	PSI	PSI	PSI	
	GPM	GPM	GPM	GPM	GPM	GPM	
3200	125	105	97	-	-	-	3.2
3600	140	130	121	-	-	-	4.0
4000	160	145	138	105	-	-	5.3
4600	180	170	163	150	70	40	7.5

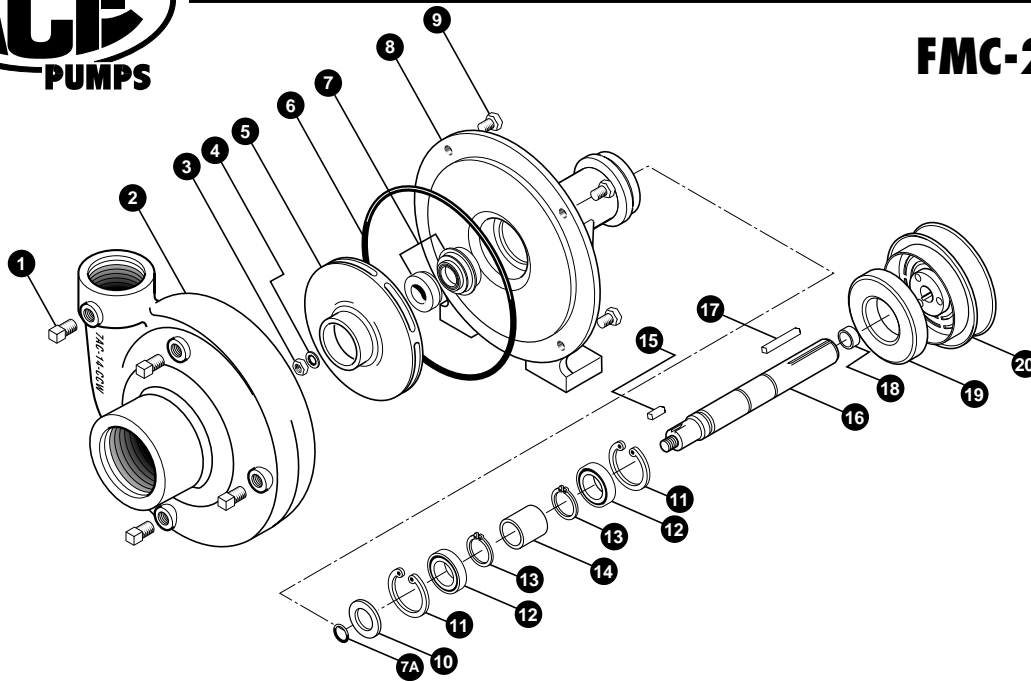
$$\frac{\text{Pump RPM}}{\text{Driveshaft RPM}} = \frac{\text{Drive Pulley Diameter}}{\text{Pump Pulley Diameter}}$$

DIMENSIONS





FMC-200-MAG



REF. #	PART #	EDP #	DESCRIPTION	REQ.
1	41110	41110	Pipe plug, 1/8" NPT	4
1	41120	41120	Pipe plug, 1/8" NPT, stainless steel (optional)	4
2	7AC-14-CCW	41526	Volute, 2" x 1-1/2", cast iron	1
3	BAC-23-A	40391	Nut, 3/8" NF Hex, cad plated locknut	1
4	BAC-24-HYD-SS	40400	Washer, 3/8", stainless steel	1
5	BAC-26-200-CI	40433	Impeller, 5-1/2" dia., extended keyway, cast iron, effective Dec. '98	1
5	BAC-26-HYD-200-CI	41525	Impeller, 5-1/2" dia., with keyway, cast iron	1
*6	BAC-4A	40005	"O" Ring for BAC-12 volute seal, effective Apr. '96	1
*6	BAC-4	40010	Gasket, 4 hole	1
*7	BAC-7V	40151	Seal, Viton mechanical seal (includes 40160 "O" Ring)	1
7	BAC-7SC	40152	Seal, Silicon carbide mechanical seal (includes 40160 "O" Ring) (optional)	1
7A	40160	40160	"O" Ring for BAC-6 shaft	1
8	BAC-14-MAG	40285	Mounting frame, machined to accept magnetic clutch assembly	1
9	40930	40930	Cap screw, 3/8" NC x 3/4" Hex head, stainless steel (optional)	4
9	40950	40950	Cap screw, 3/8" NC x 3/4" Hex head	4
10	BAC-54	41130	Slinger	1
11	BAC-33	40810	Snap ring, internal, BAC-14 mounting frame	2
12	BAC-37	40870	Bearing, BAC-6 driven shaft	2
13	BAC-32	40790	Snap ring, external, BAC-6 driven shaft	2
14	BAC-32-S	40795	Spacer for BAC-6 shaft	1
15	BAC-25	40425	Key, 1/8" x 1/8" x 13/16", extended keyway, effective Dec. '98	1
15	BACH-25	40420	Key, 1/8" x 1/8" x 1/2"	1
16	BAC-6-150/200	40055	Shaft, 5/8" Driven shaft with keyway (optional)	1
16	BAC-6-150/200-SS	40056	Shaft, 5/8" Driven shaft with keyway, stainless steel	1
16	BAC-6-200-SS	40057	Shaft, 5/8" Driven ,extended keyway, stainless steel, effective Dec. '98	1
17	BAC-50	41080	Key, 3/16" x 3/16" x 1-1/4"	1
18	41477	41477	Spacer, clutch	1
19	41476	41476	Coil ring, 12 volt, DC activated	1
20	41479	41479	5-1/4" Pulley assembly complete with bearing and clutch driver	1
#	RK-FMC	052700	Repair kit for FMC series	-
#	41475	41475	Magnetic Clutch assembly, includes 41476, 41477, and 41479	-

* Items included in pump repair kit.

Ace Pump Corporation • P.O. Box 13187 - 1650 Channel Avenue • Memphis, TN 38113
www.AcePumps.com • Phone: 901-948-8514 • Fax: 901-774-6147

ACE Form # FMC-200-MAG