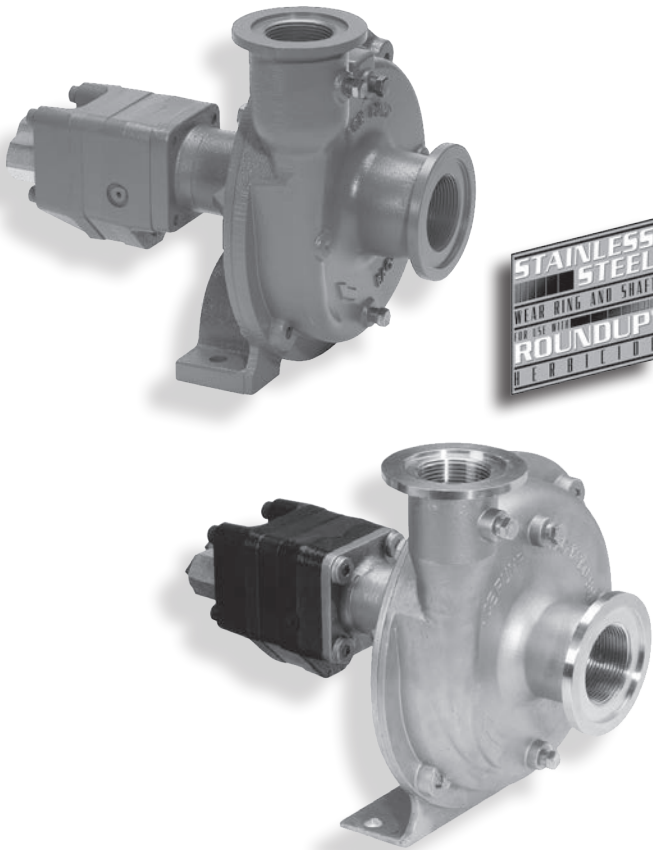




# High Performance Hydraulic Motor Driven Centrifugal Pump

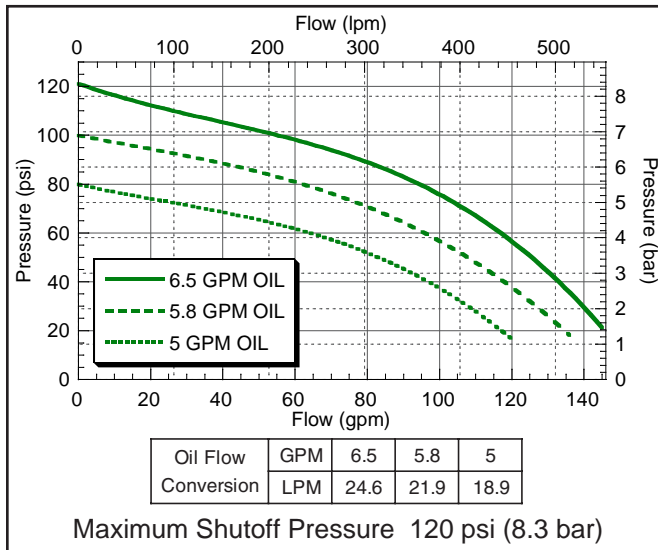


## FMC-150F-HYD-206

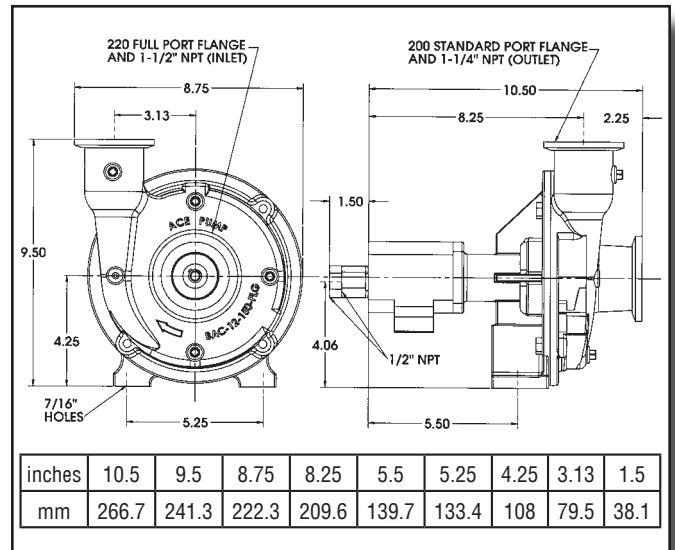
## FMC-150FS-HYD-206

- Suction 220 Flange & 1-1/2" NPT
- Discharge 200 Flange & 1-1/4" NPT
- -FS Model - 316 Stainless Steel
- Recommended for use on the following Hydraulic Systems:
  - ✓ Pressure Compensating Closed Center
  - ✓ Load Sensing or Pressure Flow Compensating Closed Center
  - ✓ Open Center up to 16 GPM (60.6 LPM)
- Integral Needle Valve bypasses up to 9 GPM (34 LPM) on Open Center Systems
- Standard Viton® Carbon/Ceramic seal or Optional Severe Duty Silicon Carbide Mechanical Seal
- Chemical Resistant Valox® or Optional Cast Iron or Polypropylene Impeller
- Stainless Steel Shaft and Wear Ring

## PERFORMANCE CHART



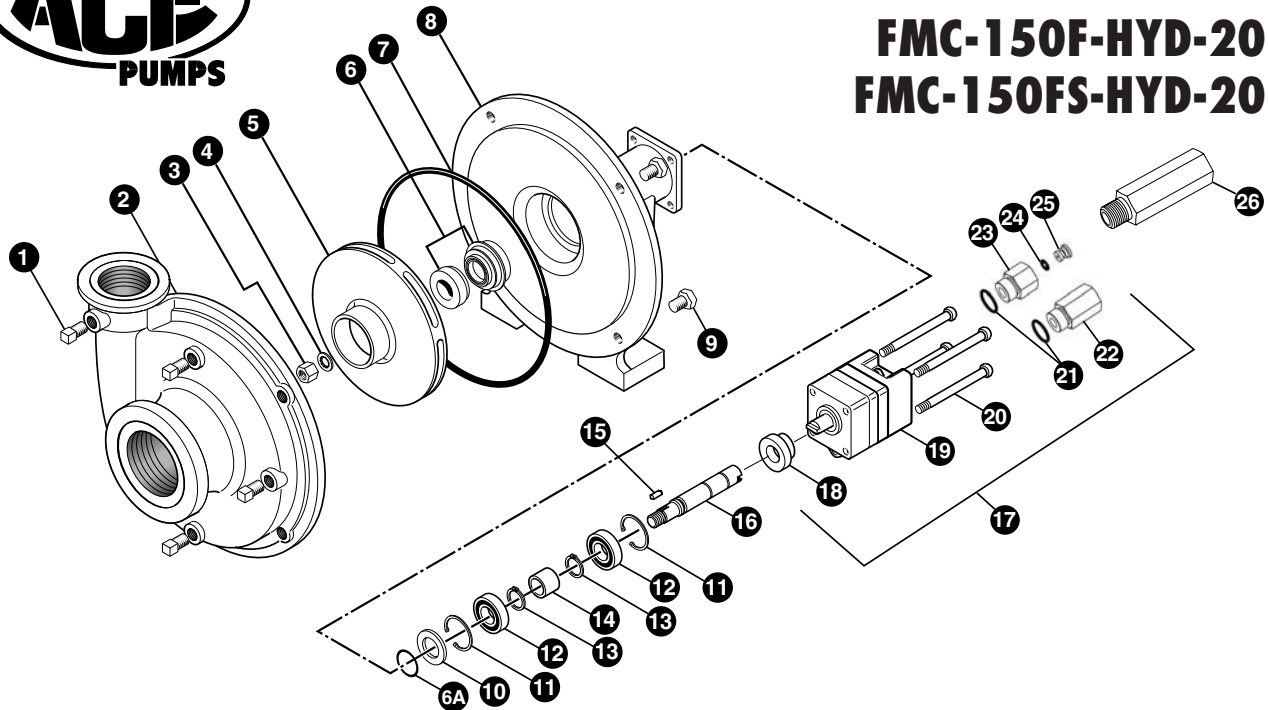
## DIMENSIONS



Valox® is a registered trademark of GE Plastics.  
 Viton® is a registered trademark of DuPont Dow Elastomers.



# FMC-150F-HYD-206 FMC-150FS-HYD-206



| REF. #           | PART NUMBER       | EDP # | DESCRIPTION  | REQ. |
|------------------|-------------------|-------|--|------|
| 1                | BAC-53            | 41110 | Pipe plug  | 4    |
| 1                | 41120             | 41120 | Pipe plug, stainless steel (optional)  | 4    |
| 2                | BAC-12-150-FLG    | 40257 | Volute, cast iron, NPT & flanged (for 150F models)                             | 1    |
| 2                | BAC-12-150-SS     | 40249 | Volute, 316 stainless steel, NPT & flanged (for 150FS models)                  | 1    |
| 3                | BAC-23-A          | 40391 | Nut, 3/8" NF, cad plated   | 1    |
| 3                | BAC-23-B-SS       | 40393 | Nut, 3/8" NF, stainless steel (standard on FS and -SS models)                  | 1    |
| 4 <sup>①②</sup>  | BAC-24-HYD-SS     | 40400 | Washer, 3/8" star, stainless steel   | 1    |
| 4                | BAC-24-B-SS       | 42702 | Washer, 3/8", stainless steel, vibration proof (standard on FS and -SS models) | 1    |
| 5                | BAC-26-150-P      | 40446 | Impeller, Valox, keyway  | 1    |
| 5                | BAC-26-150-CI     | 40445 | Impeller, cast iron, keyway (optional)   | 1    |
| 5                | BAC-26-150-PI     | 40448 | Impeller, polypropylene, keyway (optional)                                     | 1    |
| 6 <sup>①</sup>   | BAC-7V            | 40151 | Seal, carbon/ceramic/Viton (includes 40160 O-Ring)                             | 1    |
| 6 <sup>②</sup>   | BAC-7SC           | 40152 | Seal, silicon carbide/Viton (includes 40160 O-Ring) (optional)                 | 1    |
| 6A <sup>①②</sup> | 40160             | 40160 | O-ring, shaft seal   | 1    |
| 7 <sup>①②</sup>  | BAC-4-150         | 40015 | O-ring, body seal  | 1    |
| 8                | BAC-14-150-HYD    | 40305 | Mounting frame, cast iron (for 150F models)                                    | 1    |
| 8                | BAC-14-150-HYD-SS | 40319 | Mounting frame, 316 stainless steel (for 150FS models)                         | 1    |
| 9                | 40950             | 40950 | Cap screw, 3/8" NC x 3/4" hex head   | 4    |
| 9                | 40930             | 40930 | Cap screw, 3/8" NC x 3/4" hex head, stainless steel (optional)                 | 4    |
| 10               | BAC-54            | 41130 | Slinger  | 1    |
| 11               | BAC-33            | 40810 | Snap ring, internal, BAC-14 mounting frame                                     | 2    |
| 12               | BAC-37            | 40870 | Ball Bearing, sealed, BAC-6 shaft  | 2    |
| 13               | BAC-32            | 40790 | Snap ring, external, BAC-6 shaft   | 2    |
| 14               | BAC-32-S          | 40795 | Spacer for BAC-6 shaft   | 1    |
| 15               | BACH-25           | 40420 | Key, 1/8" x 1/8" x 1/2"  | 1    |
| 16               | BAC-6-HYD-SS      | 40061 | Shaft, 5/8" diameter, keyway and tang slot, stainless steel                    | 1    |
| 17               | BAC-75-HYD-206    | 41372 | Hydraulic motor, 7 GPM (includes parts 18 - 25)                                | 1    |
| 18               | S200              | 40161 | Seal support spacer for 200 Series HYD motor                                   | 1    |
| 19               | BAC-75-HYD-206N   | 41397 | Hydraulic motor, 7 GPM (motor only - no external fittings)                     | 1    |
| 20               | 41255             | 41255 | Cap screw, 5/16" N. C. x 3-3/4" socket head (for 206N motor)                   | 4    |
| 21               | 41875             | 41875 | O-ring, #8 SAE fitting   | 2    |
| 22               | BAC-78-8SAE       | 41441 | Reverse check valve, #8 SAE male x 1/2" NPT female                             | 1    |
| 23               | BAC-80-8SAE       | 41455 | Adapter, restrictor body, #8 SAE male x 1/2" NPT female                        | 1    |
| 24               | 41448             | 41448 | O-ring, orifice insert   | 1    |
| 25               | BAC-79-7          | 41456 | Orifice, restrictor insert, .109 (206N)  | 1    |
| 26               | LS-206N           | 41418 | Flow limiting valve (206N), #8 SAE male x 1/2" NPT female                      | 1    |
| ①                | RK-FMC-150        | 52710 | Repair kit for FMC-150 series pump   | -    |
| ②                | RK-FMCSC-150      | 52711 | Repair kit for FMC-150 series with silicon carbide shaft seal                  | -    |
| #                | RK-BAC-75-HYD-L   | 41374 | Repair kit for 200-L Series motor  | -    |