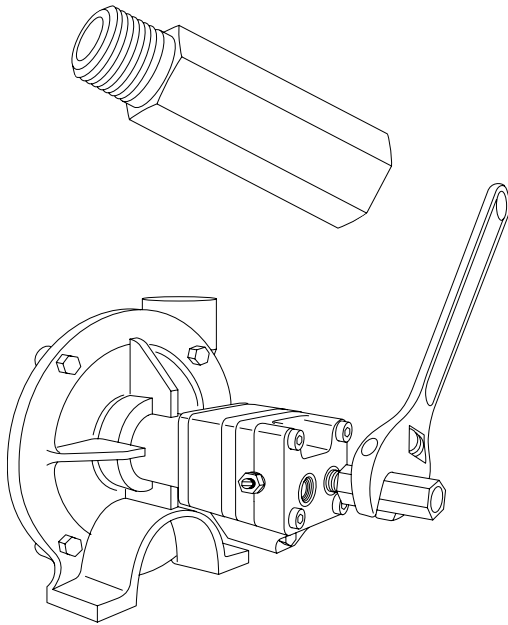




FLOW LIMITER VALVE

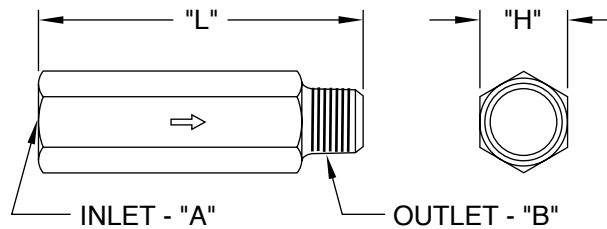
**FOR USE ON LOAD SENSING OR
PRESSURE-FLOW COMPENSATING
CLOSED CENTER SYSTEMS**



MODEL LS

- Installs in Ace Hydraulic Motor Inlet Port
- Shuts off all hydraulic flow when the motor's capacity is exceeded
- Protects Motor from overspeeding
- Automatically Resets when hydraulic pressure is released
- Sizes available for all Ace models recommended for use on Load Sensing Hydraulic Systems

MODELS AND DIMENSIONS



Hydraulic Motor	200 and 300 Series Motors					200N and 300A Series Motors				
	Part # EDP #	A	B	L	H	Part # EDP #	A	B	L	H
BAC-75-HYD-204	LS-204 41409	3/8" NPT	3/8" NPT	3-1/4"	7/8"	LS-204N 41417	1/2" NPT	#8 SAE	3-1/4"	1-1/8"
BAC-75-HYD-206	LS-206 41408	3/8" NPT	3/8" NPT	3-1/4"	7/8"	LS-206N 41418	1/2" NPT	#8 SAE	3-1/4"	1-1/8"
BAC-75-HYD-210	LS-210 41411	3/8" NPT	3/8" NPT	3-1/4"	7/8"	LS-210N 41423	1/2" NPT	#8 SAE	3-1/4"	1-1/8"
BAC-75-HYD-304	LS-304 41413	1/2" NPT	1/2" NPT	3-5/16"	1-1/8"	LS-304 41413	1/2" NPT	1/2" NPT	3-5/16"	1-1/8"



FLOW LIMITER

The flow limiter is a hydraulic device designed to shut off the flow of hydraulic oil when a specified flow is exceeded. On tractors with LOAD SENSING (LS) Closed Center hydraulic systems, this device limits the flow of oil to the Ace motor and prevents failures due to misapplication.

Newer tractors with Load Sensing Systems present a great potential to turn the motors beyond their rated speeds. Flows out of the hydraulic valves can exceed 30 GPM while the motors are rated at 4-11 GPM. The flow limiter protects the Ace motor by shutting off when hydraulic flows exceed the motors capacity.

The flow limiter should not be used on OPEN Center or PRESSURE COMPENSATING Closed Center hydraulic systems. The flow limiter should not be used with a restrictor orifice.

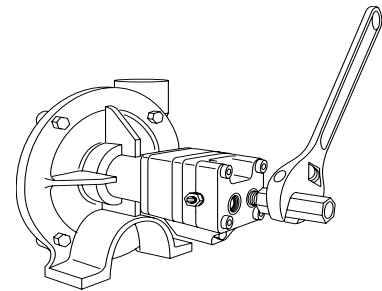
INSTALLATION AND SETUP PROCEDURE

1. Install the flow limiter in the inlet port of the Ace motor.
2. Close the needle valve on the Ace motor by loosening the jam nut and screwing the needle valve in a clockwise direction all the way down.
3. Connect the hydraulic hoses so that the pump runs with the hydraulic lever in the "Lower / Retract" position. Connect return hose to Low Pressure Return Port, when available.
4. Shut off boom and agitation valves on the sprayer to deadhead the sprayer pump flow.
5. Adjust the flow control on the tractor to the minimum flow setting (turtle).
6. Move the hydraulic lever to the "Lower / Retract" position. Note: Always shut the pump off in the "Float" position. This eliminates high pressure being trapped in the return line and protects hydraulic seals. Avoid returning the oil to the remote valve; use the Low Pressure Return port, when available.
7. Adjust the flow control on the tractor until the sprayer system deadhead pressure is within the pumps operating parameters:

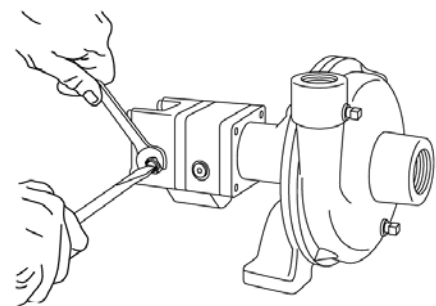
Note: If the flow limiter stops the flow of oil to the motor:

- 7a) Move the hydraulic lever to the "Float" or "Neutral" position. This removes the oil pressure from the flow limiter and allows it to reset.
- 7b) Adjust the flow control to a lower flow position.
- 7c) Repeat steps 6 and 7.

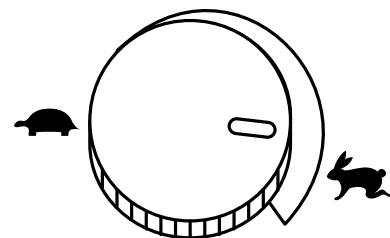
8. Set sprayer pressure by opening the agitation valve.



INSTALL FLOW LIMITER



CLOSE NEEDLE VALVE



ADJUST FLOW CONTROL