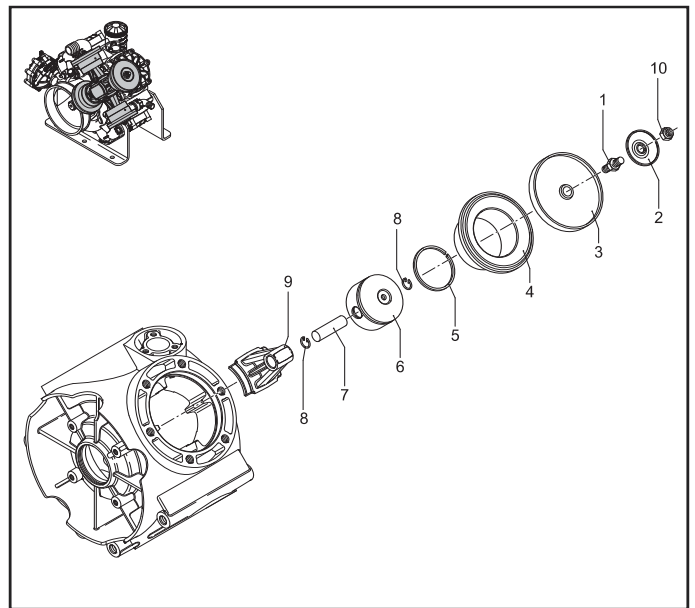
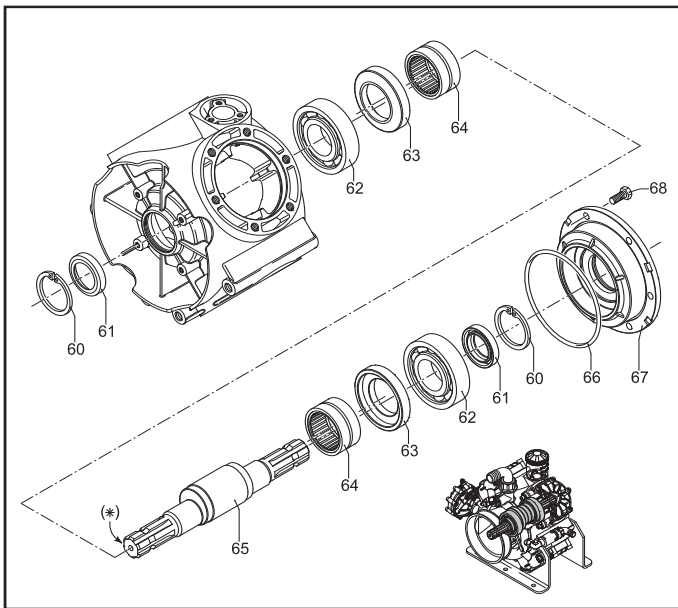
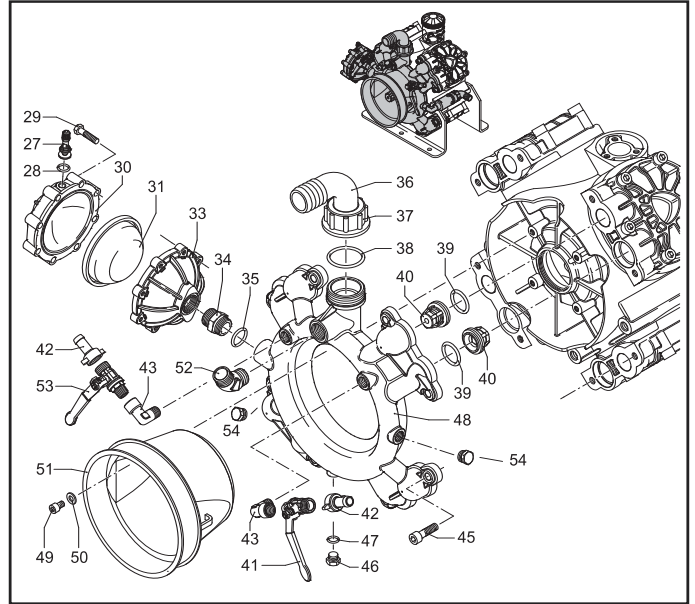
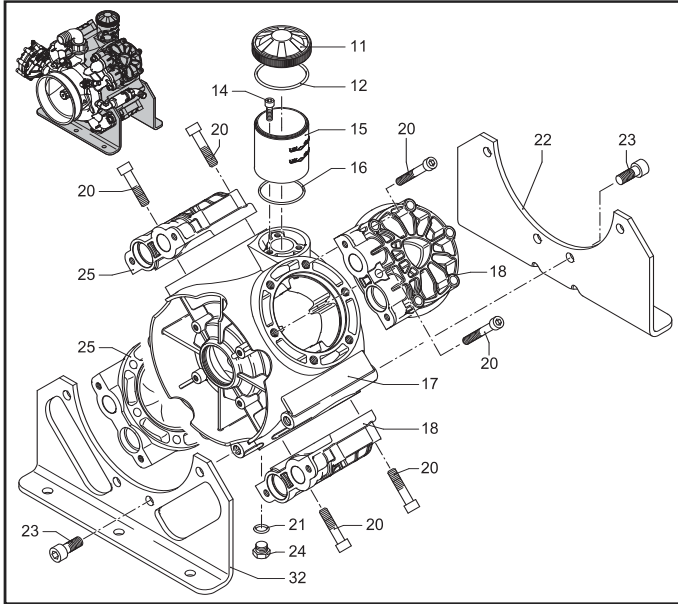


Parts Illustrations for Models 9910-DBA160 and 9910-DBA200



NOTE: From manifold side, heads on right side are marked with a "D" (#18) and heads on left side are marked with an "S" (#25).

Parts List for Models 9910-DBA160 and 9910-DBA200

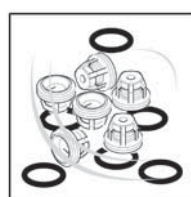
REF. NO.	PART NUMBER	DESCRIPTION	QTY. REQ'D
1	9910-2240100	Diaphragm pin	4
2	9910-580090	Retaining washer	4
3	9910-2240080	Diaphragm, Buna	4
4	9910-2240510	Sleeve DBA160	4
4	9910-2240520	Sleeve DBA200	4
5	9910-260230	Piston ring DBA160	4
5	9910-2240360	Piston ring DBA200	4
6	9910-2240060	Piston DBA160	4
6	9910-2240350	Piston DBA200	4
7	9910-260700	Piston pin DBA160	4
7	9910-540070	Piston pin DBA200	4
8	9910-160691	Pin ring	8
9	9910-2380050	Connecting rod	4
10	9910-2240110	Nut	4
11	9910-1800060	Black cap DBA160	1
11	9910-750050	Red cap DBA200	1
12	9910-1040060	O-Ring	1
14	9910-540290	M8x25 Bolt	3
15	9910-2240070	Oil sight glass	1
16	9910-2240270	O-Ring	1
17	9910-2380010	Pump body DBA160	1
17	9910-2380011	Pump body DBA200	1
18	9910-2240450	Right head (D)	2
20	9910-2240470	M12x70 Bolt	24
21	9910-180101	O-Ring	1
22	9910-2380040	Base	1
23	9910-2380060	M14x35 Bolt	8
24	9910-820361	Plug	1
25	9910-2240451	Left head (S)	2
27	9910-180020	Air valve	1
28	9910-650542	Gasket	1
29	9910-621781	M8x40 Bolt	8
30	9910-629211	Upper air chamber	1
31	9910-550190	Air chamber Diaphragm -Buna	1
32	9910-2380030	Base	1
33	9910-1520770	Lower air chamber	1
34	9910-1520740	Threaded adapter	8
35	9910-720030	O-Ring	1
36	9910-540550	Elbow 1-1/2"	1
37	9910-540540	Ring nut	1
38	9910-250310	O-Ring	8
39	9910-680070	O-Ring	8
40	9910-759051	Complete valve	8
41	9910-130491	Right valve	1

REF. NO.	PART NUMBER	DESCRIPTION	QTY. REQ'D
42	9910-110130	Hose barb 1/2"	2
43	9910-2240260	Valve elbow	2
45	9910-650330	M10x35 Bolt	8
46	9910-880581	Cap, brass	1
47	9910-820510	O-Ring	1
48	9910-2380071	Manifold	1
49	9910-850250	M8x12 Bolt	4
50	9910-390311	Washer	4
51	9910-1500470	Shield	1
52	9910-851650	Outlet elbow	1
53	9910-KIT2497	Left valve	1
54	2406-0023	Plug	2
60	9910-2240160	Snap ring	2
61	9910-2240150	Seal ring	2
62	9910-2240430	Bearing	2
63	9910-2240121	Con rod ring	2
64	9910-850320	Roller bearing	2
65	9910-2240173	Crankshaft	1
66	9910-2240290	O-ring	1
67	9910-2240020	Flange	1
68	9910-160670	M10x25 Bolt	6



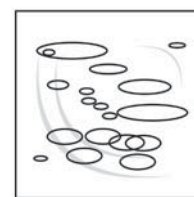
**9910-KIT2456
Diaphragm Kit**

REF. NO.	QTY.
3	4



**9910-KIT2374
Valve Kit**

REF. NO.	QTY.
39	8
40	8



**9910-KIT2457
O-Ring Kit**

REF. NO.	QTY.
12	1
16	1
21	1
35	1
38	1
39	8
47	1
66	1

REF. NO.	DESCRIPTION	Tightening Torque	
		In Lbs.	Nm
1	Dia. Pin	262.5	29.4
10	Nut	262.5	29.4
14	Bolt	87.5	9.8
19	Bolt	435.5	49.0
20	Bolt	435.5	49.0
23	Bolt	435.5	49.0
24	Plug	171.4	19.6
27	Air valve	34.5	3.9
29	Bolt	171.4	19.6
45	Bolt	350.0	39.2
46	Brass cap	171.4	19.6
49	Bolt	87.5	9.8
54	Plug	171.4	19.6
68	Bolt	350.0	39.2