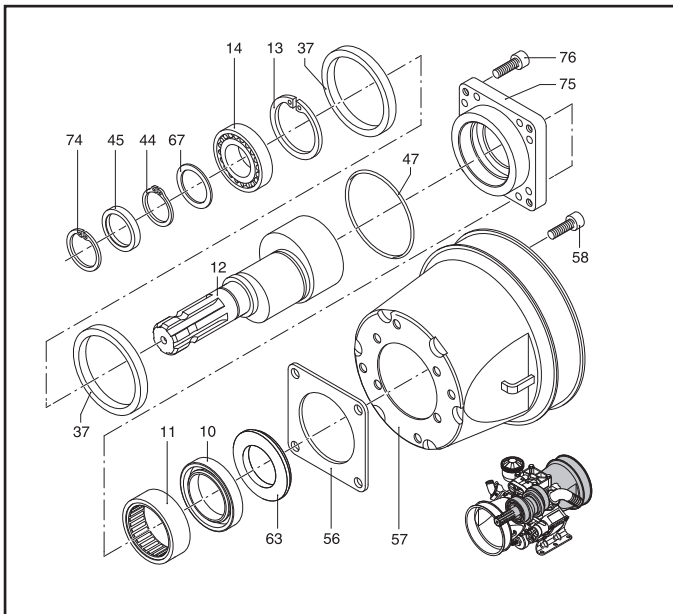
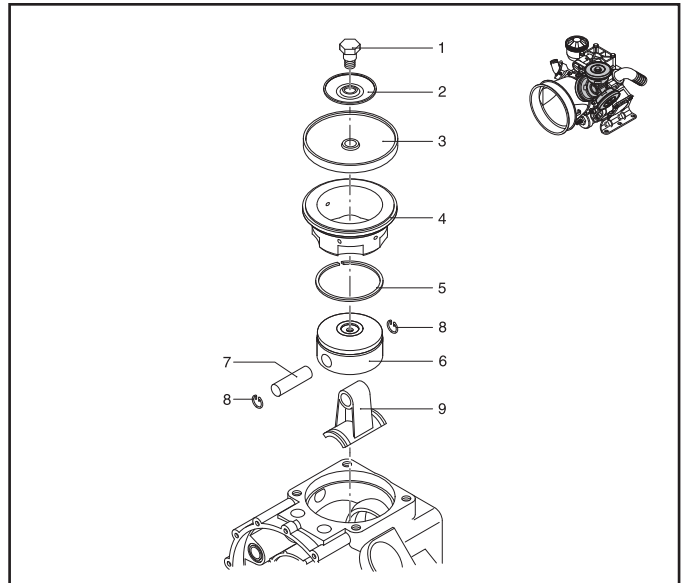
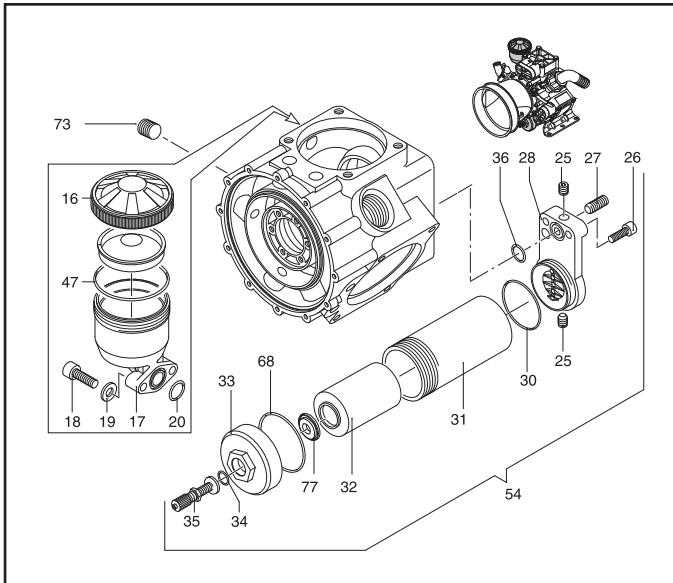
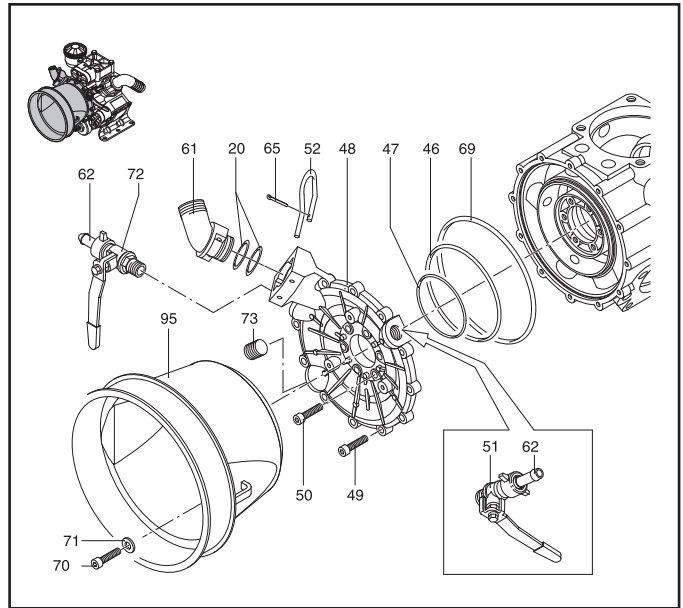
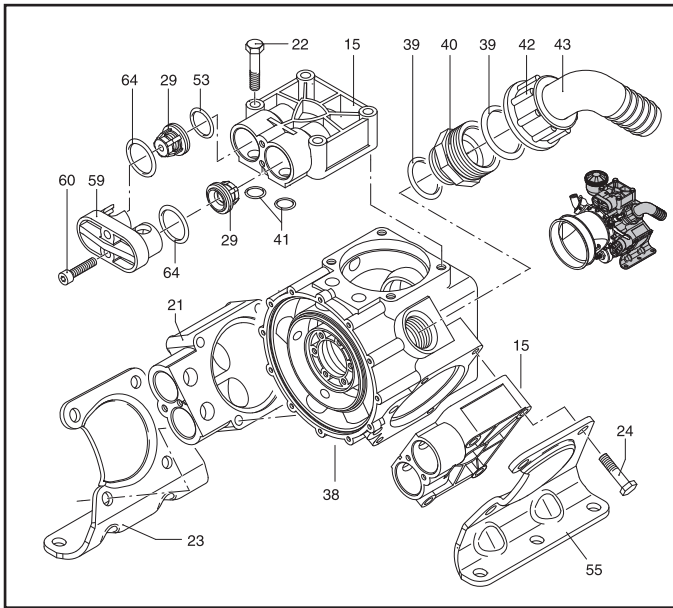
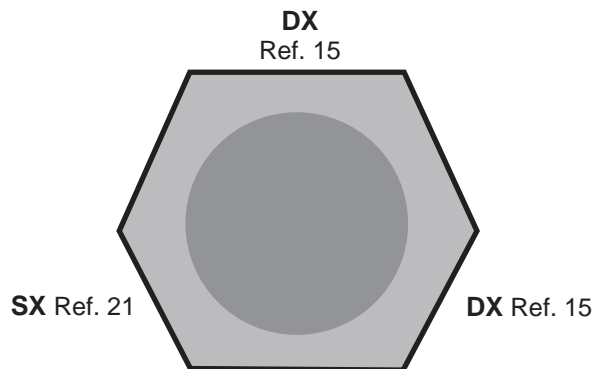


# Parts Illustrations for Model 9910-D813



**NOTE:** Head setup from Valve Cap side



## Parts List for Model 9910-D813

REF. NO.	PART NUMBER	DESCRIPTION	QTY. REQ'D.
1	9910-580360	Retaining bolt	3
2	9910-1040180	Retaining bolt washer	3
3	9910-1040080	Diaphragm, Desmopan (Std.)	3
3A	9910-1040081	Diaphragm, Buna-N (Opt.)	3
3B	9910-104008T	Diaphragm, Buna-N with Teflon Coating (Opt.)	3
4	9910-1500080	Piston sleeve	3
5	9910-650190	Piston ring	3
6	9910-1040120	Piston	3
7	9910-1040070	Connecting pin	3
8	9910-1040270	Snap ring	6
9	9910-1800050	Connecting rod	3
10	9910-1400150	Shaft seal	1
11	9910-650200	Roller bearing	1
12	9910-1800200	Crankshaft	1
13	9910-161050	Retainer ring	1
14	9910-161060	Bearing	1
15	9910-1040551	Head (DX)	2
16	9910-1800060	Oil cap	1
17	9910-680031	Oil reservoir	1
18	9910-680350	M8x35 Bolt	2
19	9910-380241	Washer	2
20	9910-390180	O-ring	3
21	9910-1040552	Head (SX)	1
22	9910-1480040	M12x60 Bolt	8
23	9910-1800440	Left base	1
24	9910-750060	M12x65 Bolt	4
25	9910-1040470	Plug	2
26	9910-320360	M8x22 Bolt	2
27	9910-1040260	Plug (oil drain)	1
28	9910-1800290	Pulsation damper flange	1
29	9910-1409050	Valve assembly	6
30	9910-540360	O-ring	1
31	9910-1800280	Pulsation damper body	1
32	9910-1800300	Diaphragm	1
33	9910-1800270	Pulsation damper cap	1
34	9910-650542	O-ring	1
35	9910-1800350	Air Valve	1
36	9910-640070	O-ring	1
37	9910-1040340	Retainer ring	2
38	9910-1800140	Pump Body	1
39	9910-250310	O-ring	2
40	9910-540530	Threaded adapter	1
41	9910-770571	O-ring	6
42	9910-540540	Hose barb nut	1
43	9910-540550	Hose barb 1-1/2"	1
44	9910-1040570	Retainer ring	1
45	9910-1040050	Oil seal	1
46	9910-1800161	O-ring	1
47	9910-1040060	O-ring	3
48	9910-1800150	Manifold	1
49	9910-1040370	M6x22 Bolt	12
50	9910-780060	M6x25 Bolt	6
51	9910-130491	Outlet ball valve w/o barb	1
52	9910-1040690	Retainer clip	1
53	9910-620030	O-ring	6
54	9910-KIT1536	Pulsation damper assy	1
55	9910-1800430	Right base	1
56	9910-1400140	Flange	1
57	9910-1500350	Shield	1
58	9910-820670	M10x16 Bolt	4
59	9910-1300190	Valve retainer	3

REF. NO.	PART NUMBER	DESCRIPTION	QTY. REQ'D.
60	9910-620610	M8x30 Bolt	6
61	9910-1040760	Outlet adapter (3/4" BSP)	1
61	9910-1040761	Outlet adapter (3/4" NPT)	1
62	9910-110131	Hose barb	2
63	9910-1400110	Flange	1
64	9910-540361	O-ring	6
65	9910-1040950	Cotter pin	1
66	N/A	Oil breather cap	1
67	9910-1040850	Washer	1
68	9910-650560	Dampener o-ring	1
69	9910-1400120	O-ring	1
70	9910-1343510	M6x14 Bolt	3
71	9910-881710	Washer	3
72	9910-130492	Outlet ball valve w/ barb	1
73	9910-1800240	Plug	2
74	9910-1460490	Snap ring	1
75	9910-1800210	Flange	1
76	9910-180030	M8x20 Bolt	8
77	9910-1800311	Plate	1

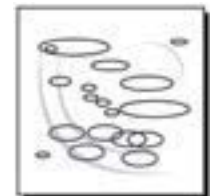
Ref. No.	Description	Tightening Torque	
		In. Lbs.	Nm
1	Bolt	262.5	29.4
22	Bolt	435.5	49.0
24	Bolt	320.8	36.1
26	Bolt	171.4	19.6
49	Bolt	87.5	9.8
50	Bolt	87.5	9.8
58	Bolt	87.5	9.8
60	Bolt	435.5	49.0
73	Plug	87.5	9.8
76	Bolt	87.5	9.8



9910-KIT2479 Diaphragm Kit Desmopan	
Ref. No.	Qty.
3	3
32	1
41	6



9910-KIT1963 Valve Kit	
Ref. No.	Qty.
29	6
53	6



9910-KIT2376 O-Ring Kit	
Ref. No.	Qty.
20	3
30	1
36	1
39	2
41	6
46	1
47	3
53	6
64	6
69	1

NOTE: When ordering parts, give QUANTITY, PART NUMBER, DESCRIPTION, and COMPLETE PUMP MODEL NUMBER. Reference numbers are used ONLY to identify parts in the drawing and are NOT to be used as order numbers.