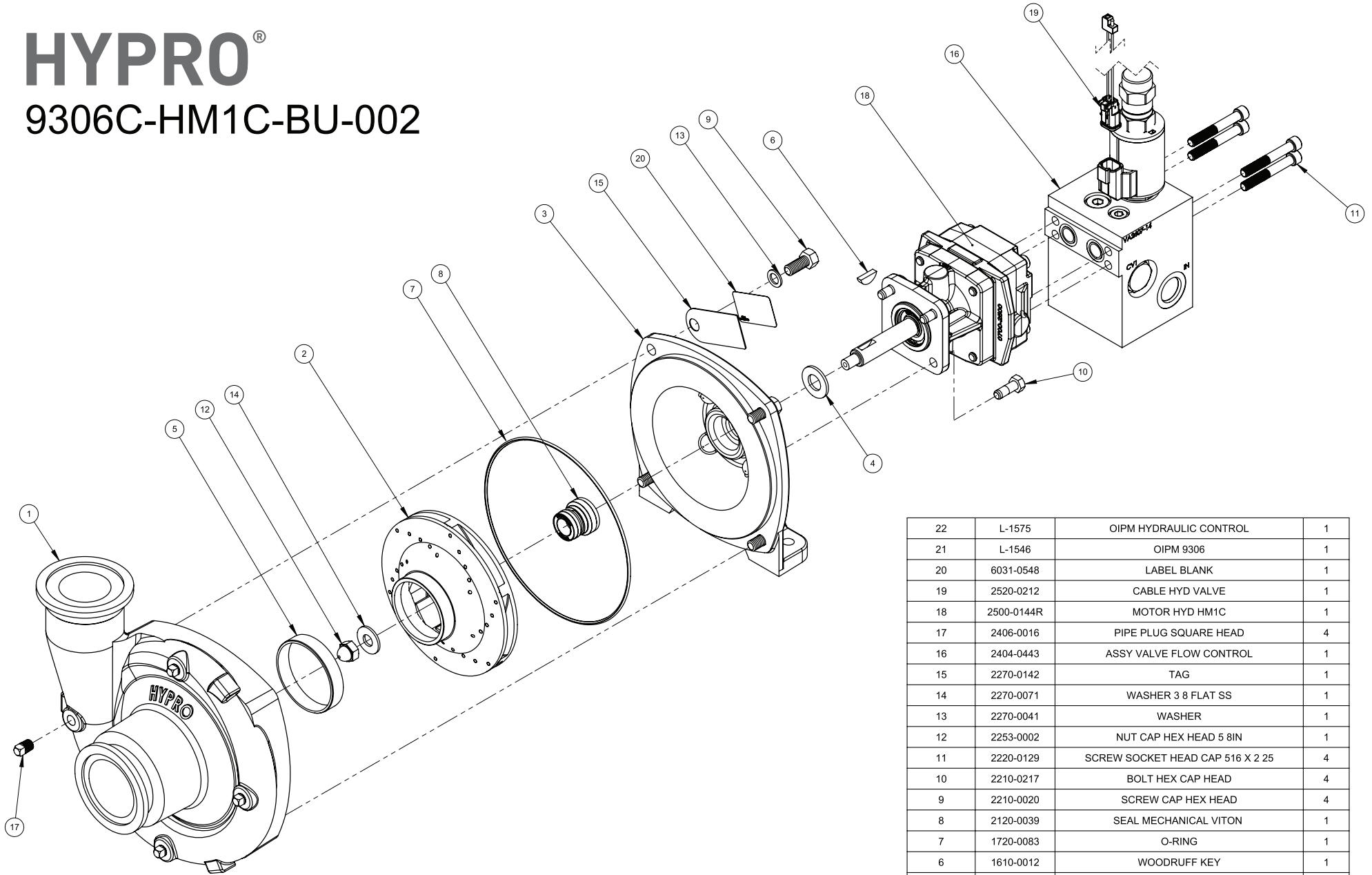


# HYPRO<sup>®</sup>

## 9306C-HM1C-BU-002



22	L-1575	OIPM HYDRAULIC CONTROL	1
21	L-1546	OIPM 9306	1
20	6031-0548	LABEL BLANK	1
19	2520-0212	CABLE HYD VALVE	1
18	2500-0144R	MOTOR HYD HM1C	1
17	2406-0016	PIPE PLUG SQUARE HEAD	4
16	2404-0443	ASSY VALVE FLOW CONTROL	1
15	2270-0142	TAG	1
14	2270-0071	WASHER 3 8 FLAT SS	1
13	2270-0041	WASHER	1
12	2253-0002	NUT CAP HEX HEAD 5 8IN	1
11	2220-0129	SCREW SOCKET HEAD CAP 516 X 2 25	4
10	2210-0217	BOLT HEX CAP HEAD	4
9	2210-0020	SCREW CAP HEX HEAD	4
8	2120-0039	SEAL MECHANICAL VITON	1
7	1720-0083	O-RING	1
6	1610-0012	WOODRUFF KEY	1
5	1410-0096	WEAR RING	1
4	1410-0056	SLINGER GASKET, SHAFT	1
3	0750-9300C2	MOUNTING FLANGE	1
2	0401-9200P2	IMPELLER (CW ROTATION)	1
1	0157-9200CM	HOUSING, 220X220 UF CI BK (MACHINED)	1
ITEM NO.	PART NUMBER	DESCRIPTION	QTY.