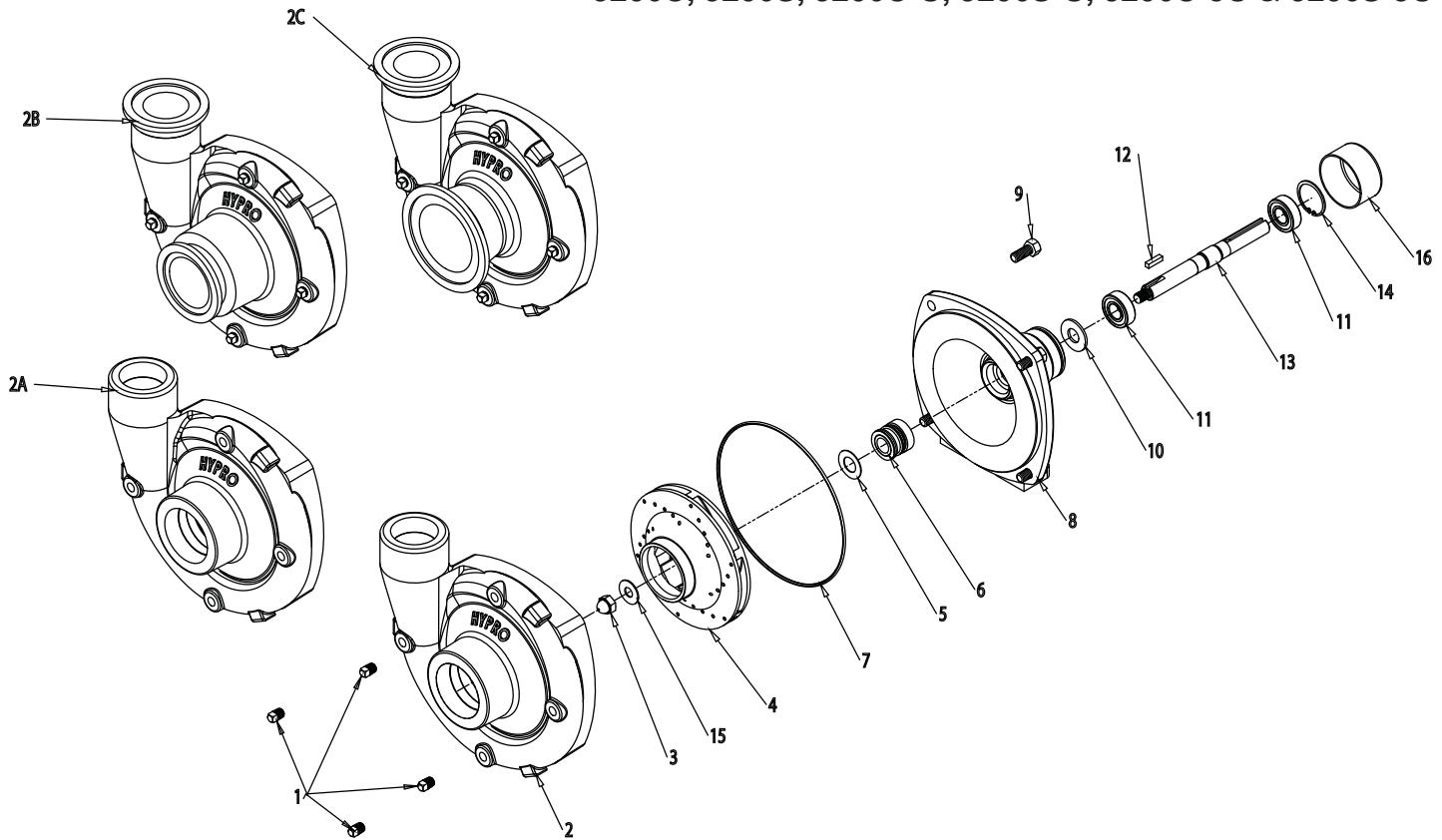


Replacement Parts

The following drawings show the pumps and their replacement parts. **Only genuine replacement parts should be used. Failure to follow this warning can result in damage to property, serious injury or death.** If the pump malfunctions or is defective, it should be sent back to Hypro for service.

9206C, 9206S, 9206C-U, 9206S-U, 9206C-3U & 9206S-3U



Seal & O-Ring Kit No. 3430-0332

consists of:

- (1) Ref. 5 Gasket
- (1) Ref. 6 Mechanical Seal
- (1) Ref. 7 O-Ring

Silicon Carbide Seal Kit No. 3430-0589

consists of:

- (1) Ref. 6 Mechanical Seal
- (1) Ref. 7 O-Ring

NOTE: When ordering parts, give QUANTITY, PART NUMBER, DESCRIPTION, and COMPLETE MODEL NUMBER. Reference number are used ONLY to identify part in the drawing and are NOT to be used as order numbers.

Ref. No.	Qty. Req'd.	Part No.	Description
1	4	2406-0007	Drain Plug (9206C)
1A	4	2406-0016	Drain Plug (9206S)
2	1	0154-9200C1	Pump Casting (9206C)
2A	1	0154-9200S1	Pump Casting (9206S)
2B	1	0157-9200C	220 x 220 (U)
2B	1	0157-9200S1	220 x 220 (U)
2C	1	0158-9200C	300 x 220 (3U)
2C	1	0158-9200S	300 x 220 (3U)
3	1	2253-0002	Impeller Nut (9206C)
3A	1	3430-0825	Impeller Nut (9206S)
4	1	0401-9200P2	Nylon Impeller (9206C)
4	1	0405-9200P2	Poly Impeller (9206S)
5	1	1700-0100	Gasket (9206C only)
6	1	3430-0332	Mechanical Seal (9206C)

Ref. No.	Qty. Req'd.	Part No.	Description
6	1	3430-0589	Silicon Carbide Seal (9206S)
7	1	1720-0083	O-Ring
8	1	0750-9200C4	Mounting Flange (9206C)
8	1	0756-9200S	Mounting Flange (9206S)
9	4	2210-0020	Screw Hex Head (9206C)
9	4	2210-0125	Screw Hex Head (9206S)
10	1	1410-0056	Slinger Ring
11	2	2000-0010	Bearing
12	1	1610-0053	Key (9206C)
12A	1	1610-0057	Key (9206S)
13	1	0505-9200	Shaft
14	1	1820-0013	Retaining Ring
15	1	2270-0071	Washer
16	1	2300-0053	Protective Cover (9206C)