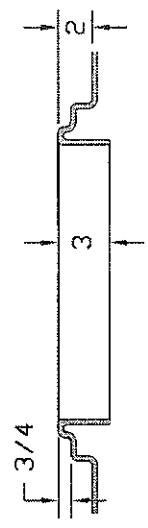
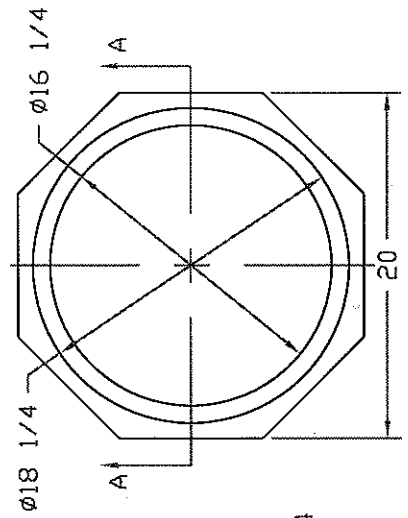
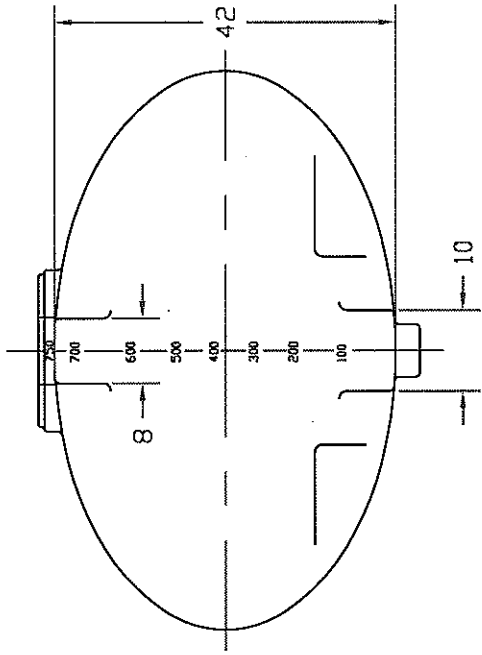
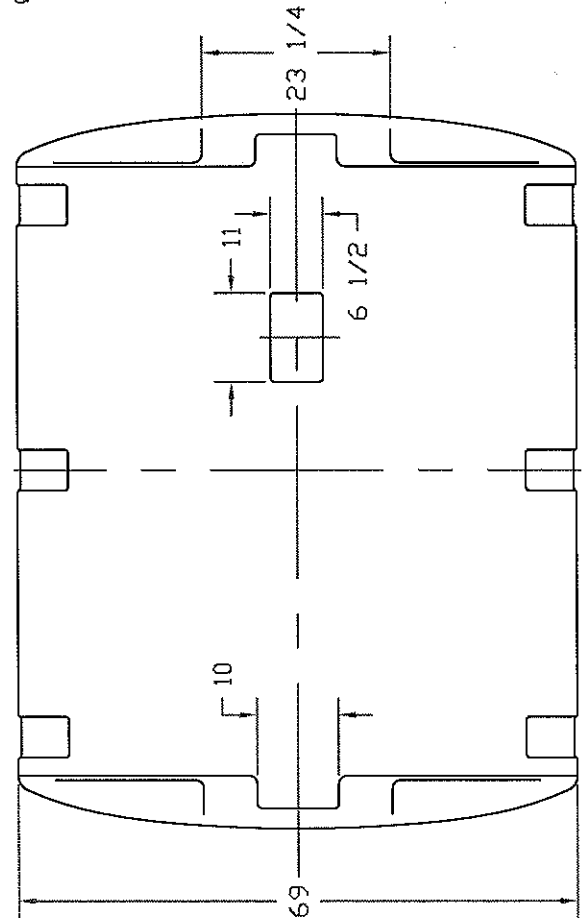
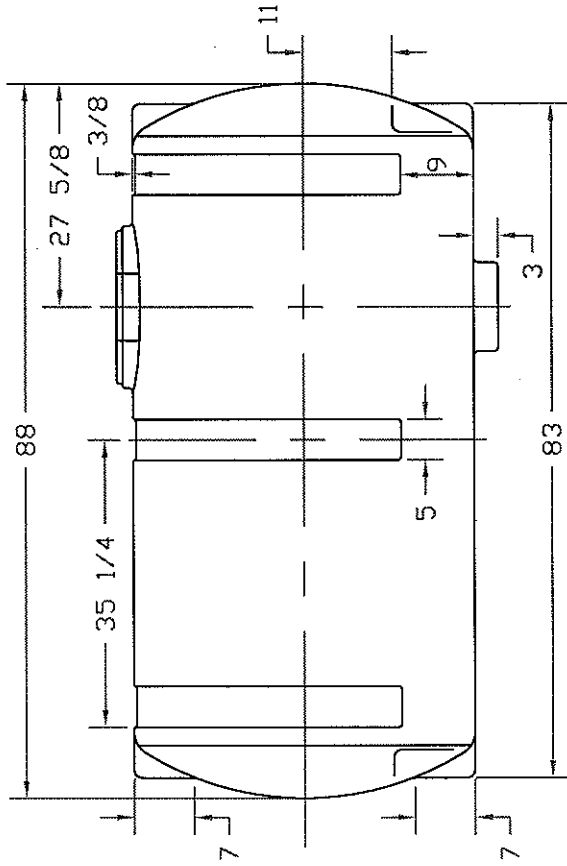


REVISIONS		
ZONE	REV	DESCRIPTION
	A	REDRAWN
		DATE
		29OCT96
		APPROVED



FILLWELL DETAILS
1/8 SCALE

		ST. BONIFACIUS, MN 750 GALLON ELLIPTICAL TANK
JTP 29OCT96	SIZE FSCM NO. B	UWS NO. _____
	SCALE 1/16	SHEET