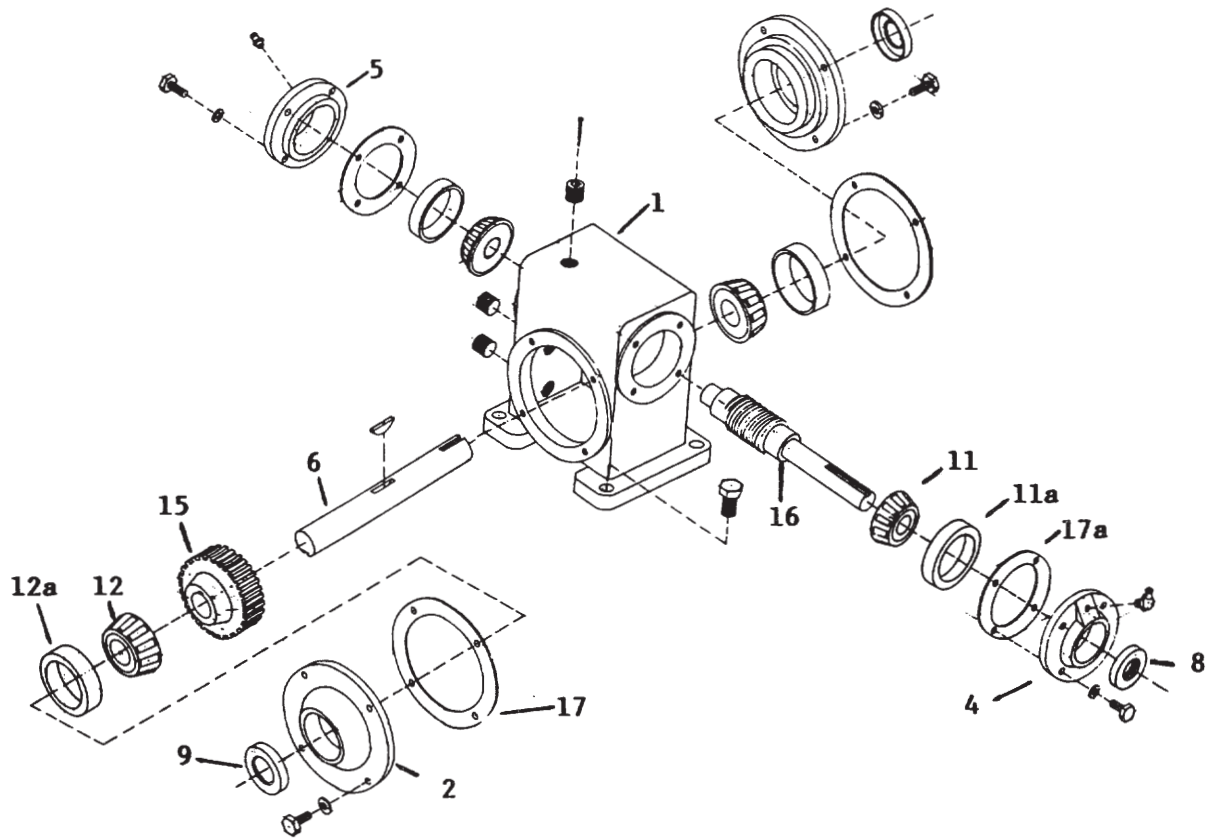


REF. #	DESCRIPTIONS FOR 69-I	P/N	REF. #	DESCRIPTIONS	P/N
	PUMP ARM COMPLETE 1 1/4"	024-132	1	BASE PLATE (NEMA 56)	024-051
	PUMP ARM COMPLETE 1 1/2"	024-133	2	ELECTRIC MOTOR SUPPORT BOLTS (4X)	043-024
	COMPLETE ECCENTRIC	024-117	3	WASHER 5/16" (4X)	043-083
15	ECCENTRIC CASTING	024-083	4	MOTOR MOUNTING BOLTS (4X)	043-025
16	ECCENTRIC CAPACITY SCALE	024-019	5	ELECTRIC MOTOR THREE PHASE	044-020
17	ECCENTRIC KEY	044-124	5	ELECTRIC MOTOR SINGLE PHASE	044-026
18	LOCKNUT ECCENTRIC SOCKET CAPSCREW (2X)	043-104	6	KEY / INPUT SHAFT GEAR BOX	044-123
19	ECCENTRIC SET SCREWS (2X)	043-085		MOTOR COUPLER ASSY. (5/8" X 3/4")	*044-148
20	SOCKET HEAD CAPSCREW 1"	043-109	7	MOTOR COUPLER END JAW 3/4"	044-119
21	ECCENTRIC ADJUSTING SCREW PLATE	024-057	8	MOTOR COUPLER SPIDER INSERT	044-121
22	LOCKWASHER 1/4" (4X)	043-091	9	MOTOR COUPLER END JAW 5/8"	044-147
23	ECCENTRIC ADJUSTING PLATE BOLTS (4X)	043-016	10	69-I GEAR REDUCER COMPLETE 15:1	024-048
24	STROKE ADJUSTING SCREW ECCENTRIC	024-069	10	69-I GEAR REDUCER COMPLETE 20:1	024-084
25	ECCENTRIC TEE BOLT	024-070	11	BREATHER VENT	021-112
26	ECCENTRIC WASHER AND POINTER	024-020	12	BUSHING	045-130
27	LOCKNUT ECCENTRIC 3/4" - 16 (3X)	024-071	13	LOCKWASHER (4X)	043-082
	<b>CONNECTING ROD ASSY. WITH BEARINGS</b>	<b>*024-004</b>	14	GEAR REDUCER BOLT (4X)	043-017
28	BEARING ECCENTRIC CONNECTING ROD	024-021			
N/S	GREASE ZERK, ECCENTRIC BEARING	021-046			
29	NUT ADJUSTING-ECCENTRIC BEARING 3/4"	024-072			
30	CONNECTING ROD ASSY. WITH BEARINGS	024-003			
31	NUT ADJUSTING-CROSSHEAD BEARING 5/8"	043-070			
32	BEARING CROSSHEAD CONNECTING ROD	024-046			
33	PISTON RETAINING SCREW	043-050			
34	PISTON RETAINING WASHER	024-079			
35	CROSSHEAD CLEVIS PIN SET SCREW	043-062			
36	CROSSHEAD CLEVIS PIN	024-073			
37	CROSSHEAD	024-023			
38	PISTON 1 1/4"	024-091			
38	PISTON 1 1/2"	024-062			
39	PUMP FRAME CASTING 1 1/4"	024-008			
39	PUMP FRAME CASTING 1 1/2"	024-007			
N/S	GREASE FITTING	021-051			
40	SET SCREW SOCKET 1 1/4"	043-106			
40	SET SCREW SOCKET 1 1/2"	043-112			
41	CYLINDER LOCKING SCREW	043-067			
42	PUMP FRAME MOUNTING BOLT (3X)	043-020			
43	GLAND NUT 1 1/4"	024-089			
43	GLAND NUT 1 1/2"	024-060			
44	PACKING NEOPRENE 1 1/4"	024-005			
44	PACKING NEOPRENE 1 1/2"	024-001			
45	LANTERN RING 1 1/4"	024-090			
45	LANTERN RING 1 1/2"	024-059			
46	CYLINDER 1 1/4"	024-092			
46	CYLINDER 1 1/2"	024-061			
	CYLINDER GREASE FITTING ASSY.	*029-016			
47	NIPPLE 1/8" CLOSE	045-001			
48	CROSSHEAD GREASE FITTING 1/8"	021-051			
49	TEE 1/8"	045-064			
50	CYLINDER GREASE RELIEF FITTING 1/8"	021-052			
51	CYLINDER PURGE PORT PLUG	021-053			
52	VALVE SPRING	024-067			
53	VALVE BALL	024-065			
54	VALVE GASKET	024-068			
55	UPPER DISCHARGE VALVE	024-094			
56	LOWER DISCHARGE VALVE	024-095			
57	UPPER SUCTION VALVE	024-096			
58	LOWER SUCTION VALVE	024-097			
59	VALVE SPRING 1 1/4" PISTON	024-067			

# 69I SERIES

## GEAR REDUCER PARTS



PART NO.	REF. NO.	DESCRIPTION
024-024	1	HOUSING
024-025	2	SLOW SPEED COVER – OPEN
024-027	4	HIGH SPEED COVER – OPEN
024-028	5	HIGH SPEED COVER – CLOSED
024-029	6	SLOW SPEED SHAFT (DBL EXTENSION)
021-007	8	HIGH SPEED OIL SEAL
024-033	9	SLOW SPEED OIL SEAL
024-034	11	ROLLER BEARING – HIGH SPEED SINGLE ROW
024-112	11A	ROLLER BEARING RACE – HIGH SPEED
024-035	12	ROLLER BEARING – SLOW SPEED
024-113	12A	ROLLER BEARING RACE – SLOW SPEED
024-036	13	SLOW SPEED SPACER
024-037	15	SLOW SPEED WORM GEAR – BRONZE 20:1
024-114	15A	SLOW SPEED WORM GEAR – BRONZE 15:1
024-038	16	HIGH SPEED WORM SHAFT – INTEGRAL 20:1
024-115	16A	HIGH SPEED WORM SHAFT – INTEGRAL 15:1
024-184	17	GASKETS – SLOW SPEED (2 REQUIRED)
024-179	17A	GASKETS – HIGH SPEED (2 REQUIRED)
042-130		GEAR OIL, GALLON