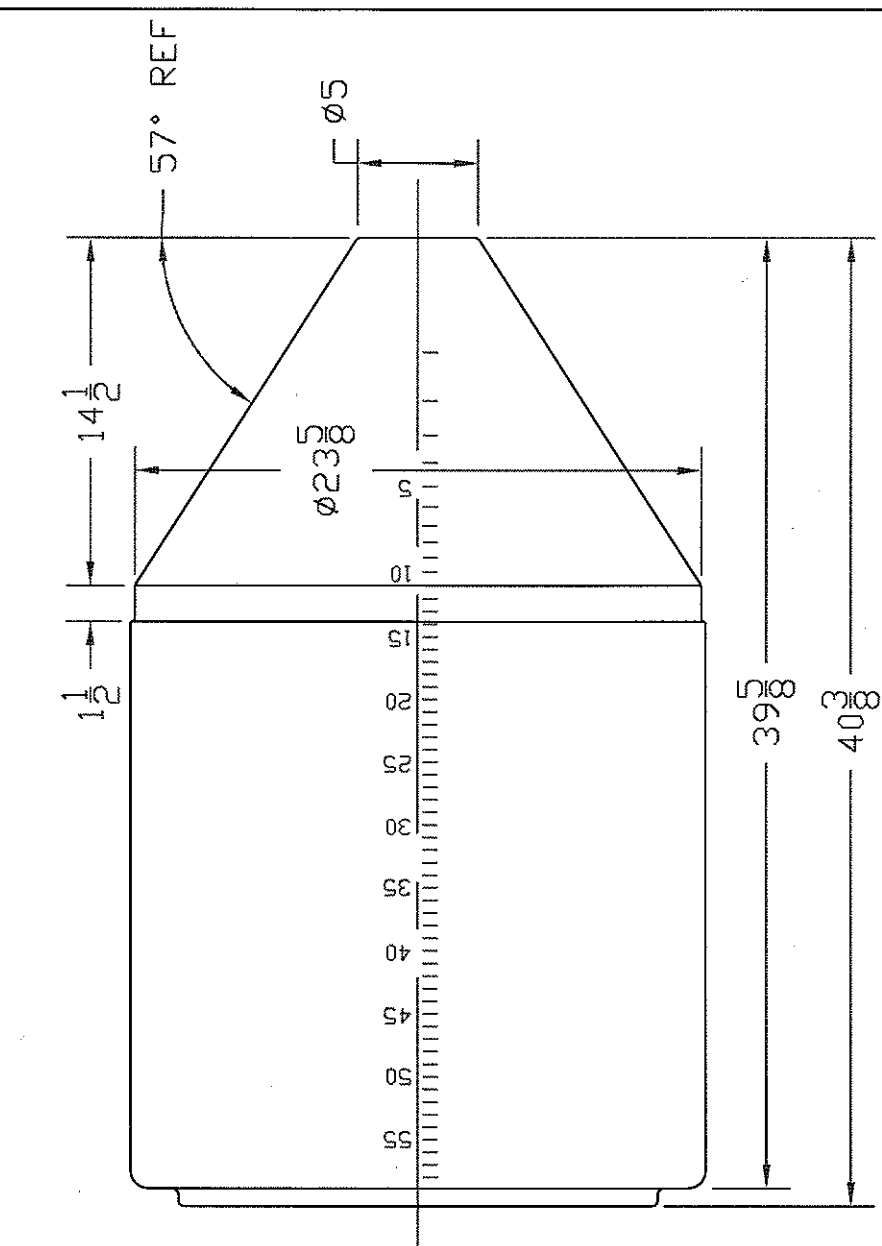


REVISIONS				
ZONE	REV	DESCRIPTION	DATE	APPROVED



NORWESCO		ST. BONIFACIUS, MN	
60 GALLON INDUCTOR			
TANK X 24 DIA			
SIZE	FSCM NO.	DWG NO.	REV
JTP	02APR04	A	
SCALE 1/8			SHEET