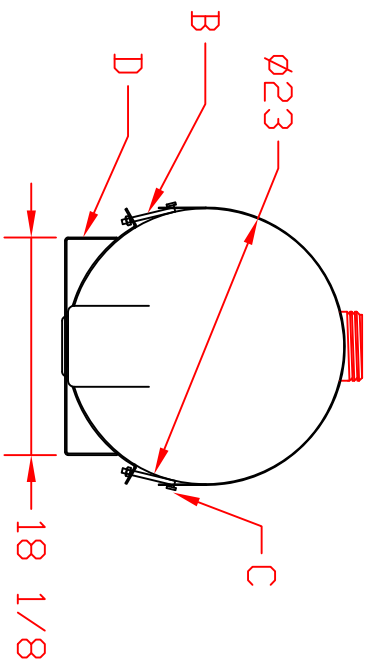
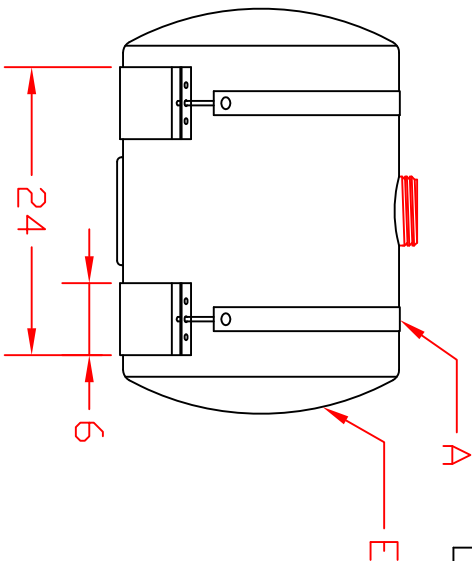


REVISIONS

ZONE	REV	DESCRIPTION	DATE	APPROVED
	A	WAS BLUE	27FEB02	
	B	WAS J-BOLT	12SEP02	
	C	ADDED 85	25JUL06	
	C	ADDED 70	19FEB14	



- A: TWO NYLON STRAPS X 48" LONG
- B: FOUR L-BOLTS, 3/8" X 4 1/2 W/ HEX NUT, ZINC PLATED
- C: FOUR BUCKLES
- D: TWO SADDLES, 11 GA. HRS, BLACK
- E: TANK, 23" DIA

(B)

NORWESCO
 ST. BONIFACIUS, MN
 55,70, & 85 X 23 SADDLE
 ASSY. WITH NYLON STRAPS

JTP	11SEP97	SIZE	FSCM NO.	DWG NO.	REV
		A			D

SCALE 1/16 SHEET