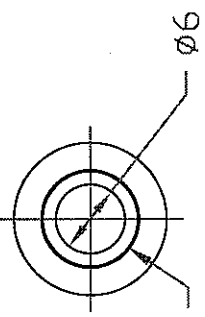
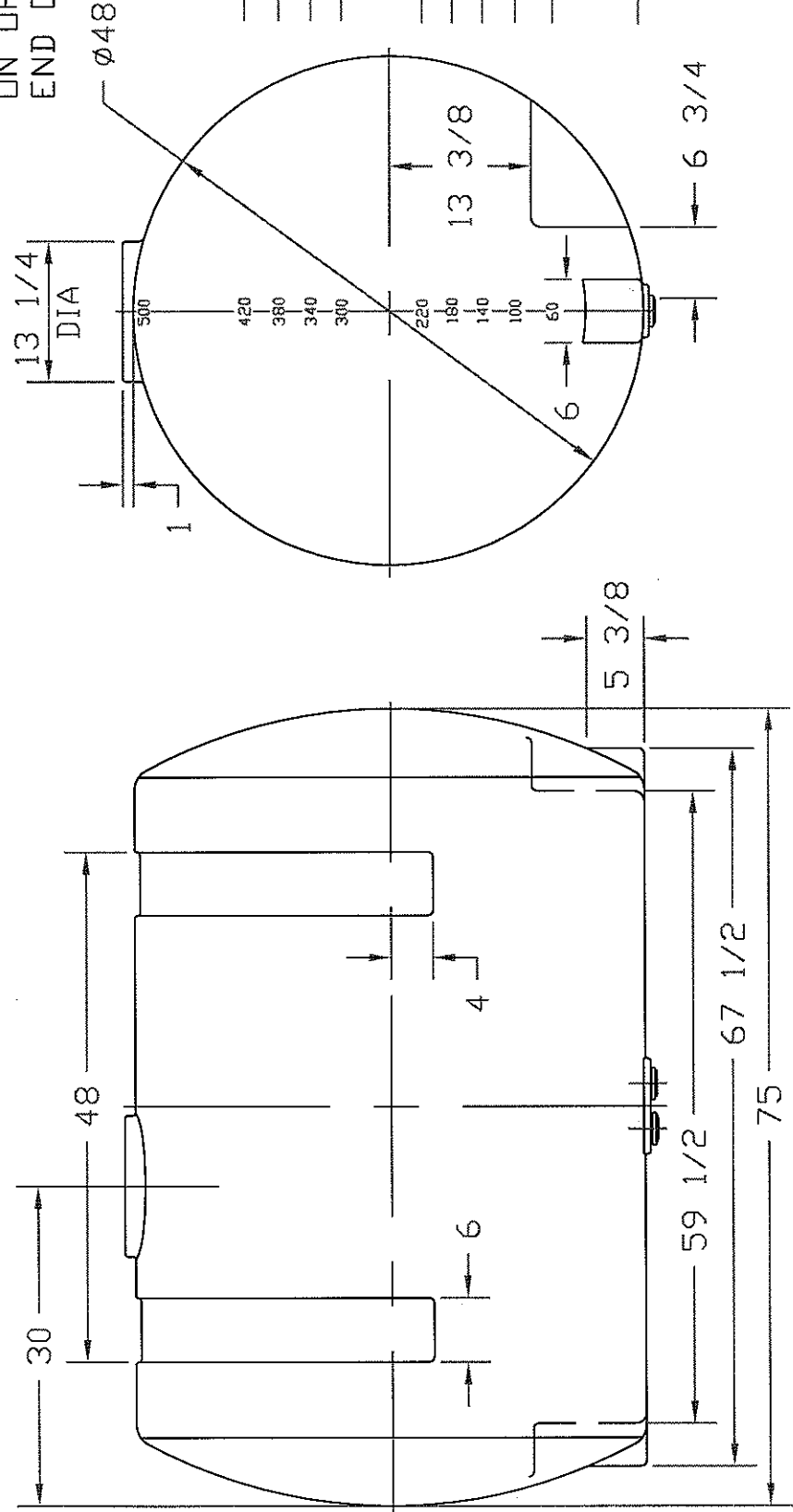


REVISIONS				
ZONE	REV	DESCRIPTION	DATE	APPROVED
	E	REDRAWN	16SEP97	
	F	FITTINGS UPDATED	09DEC02	

8 1/4 ACME THD  $\phi 6$



NOTE: GALLON MARKS ON OPPOSITE END ONLY.



- 37 5/8
- 34 3/8
- 31 3/8
- 38 1/2
- 20 7/8
- 18 1/16
- 15 1/8
- 12 1/16
- 8 9/16
- 0.

**NORWESCO**  
ST. BONIFACIUS, MN

500 GALLON APPLICATOR TANK

JTP	16SEP97	SIZE	FSCM NO.	DWG NO.	REV
		A			F
SCALE 1/16				SHEET	

