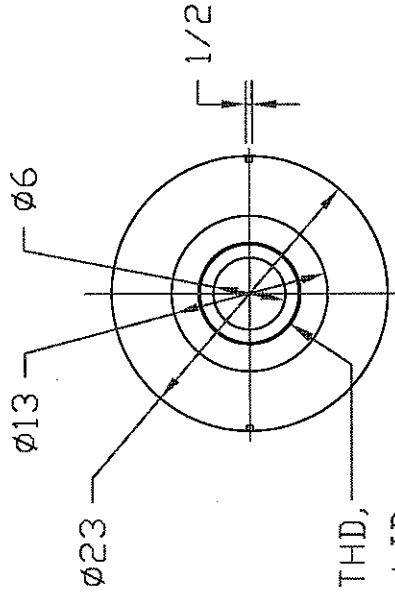


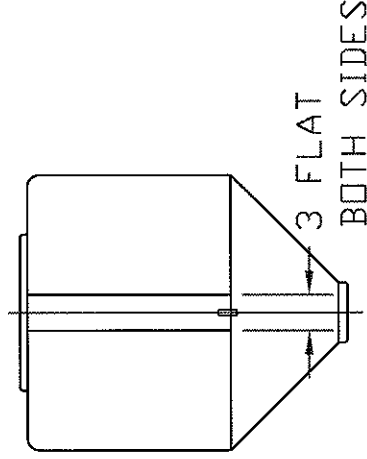
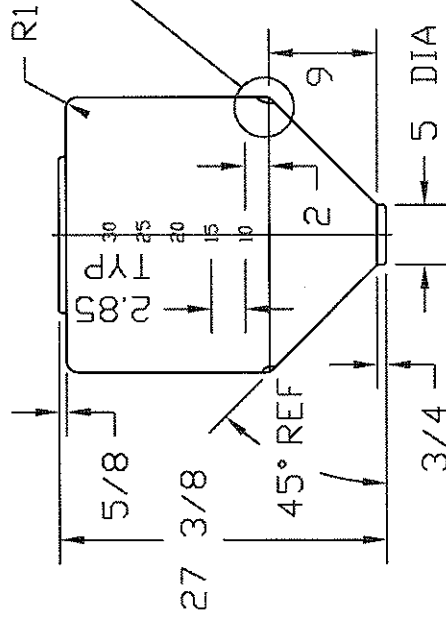
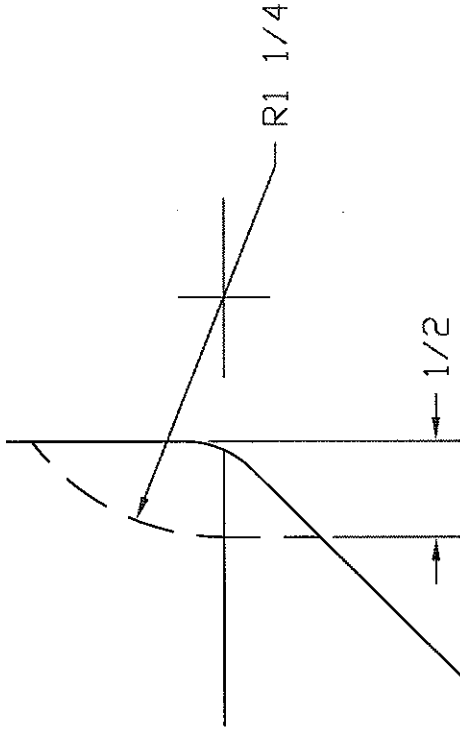
REVISIONS

| ZONE | REV | DESCRIPTION | DATE | APPROVED |
|------|-----|-------------|---------|----------|
| | A | REDRAWN | 18AUG97 | |



8 1/4 ACME THD,
RH, FOR 60002 LID

NOTCH DETAIL
FULL SCALE



NORWESCO
ST. BONIFACIUS, MN

35 GALLON INDUCTOR TANK

JTP 18AUG97

SIZE FSCM NO. DWG NO.

A

SCALE 1/16

SHEET

REV A