
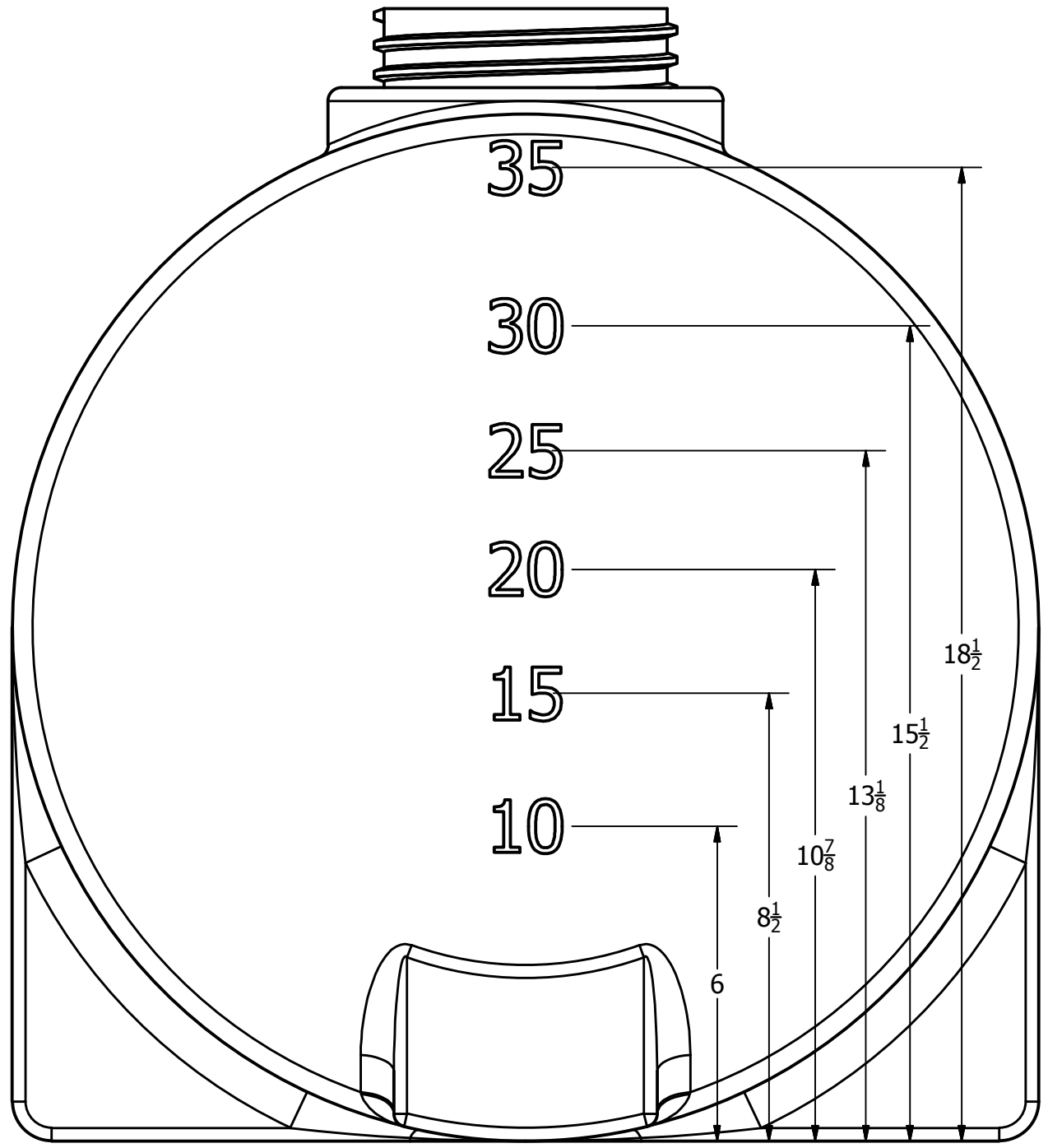



REVISION HISTORY			
REV	DESCRIPTION	DATE	AUTHOR
A	REDRAWN	1/6/1997	
B	LID THREAD REVISED	2/9/2000	
C	REDRAWN	7/22/2013	Michael Holden
DRAWN Jerry Paulson		1/6/1997	 NORWESCO NORWESCO, INC. SAINT BONIFACIUS, MN TITLE 35 GALLON HORIZONTAL TANK
CHECKED			
QA			
MFG			
APPROVED			
SIZE B		DWG NO	
SCALE: 1/16		REV C	
			SHEET 1 OF 2



GALLON MARKS ON BOTH ENDS

DRAWN Jerry Paulson CHECKED QA MFG APPROVED	1/6/1997	 NORWESCO, INC. SAINT BONIFACIUS, MN TITLE 35 GALLON HORIZONTAL TANK		
		SIZE B	DWG NO	REV C
		SCALE: 1/16	SHEET 2 OF 2	