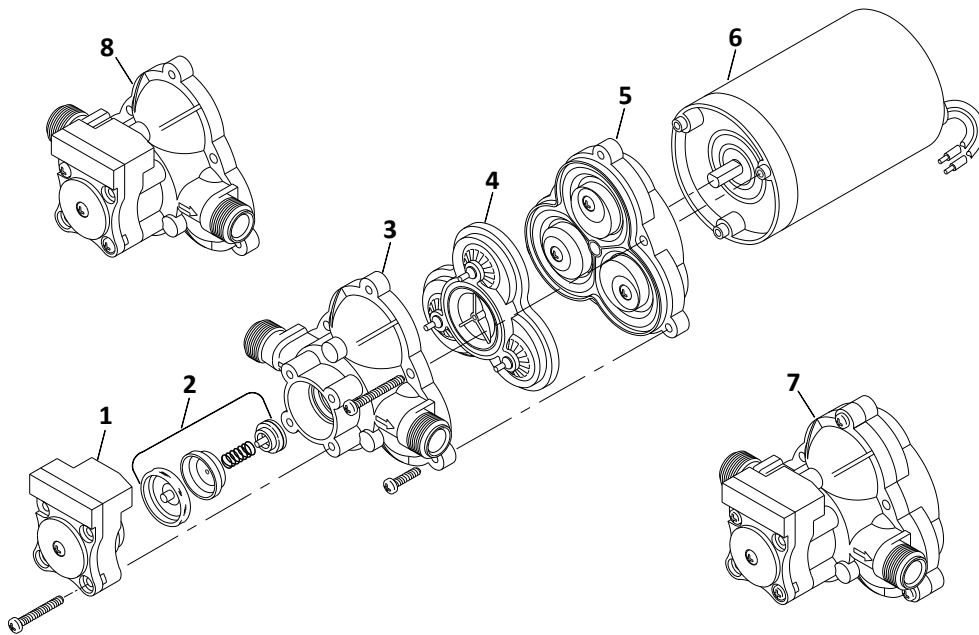


SHURflo

KITS FOR MODEL 2088-443-144

Issued: 10-12-00 dp



1) Switch Assembly	94-230-35 (For 4-hole screw pattern only)
2) Check Valve Assembly	94-237-00
3) Upper Housing	94-231-30 (4-hole screw pattern for switch)
4) Valve Assembly	94-232-00
5) Diaphragm/Lower Housing	94-238-03
6) Motor	11-111-00
7) Complete Pump Head	94-236-20
8) Upper Housing/Switch Assy	94-231-20