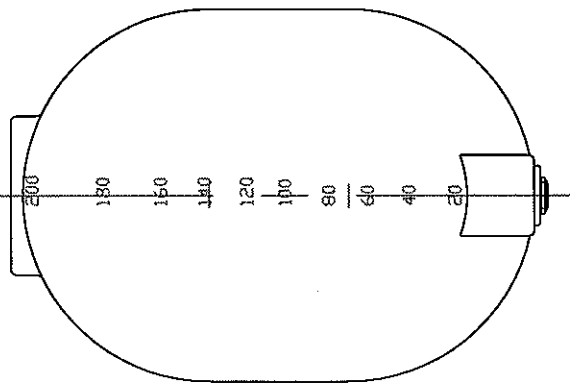
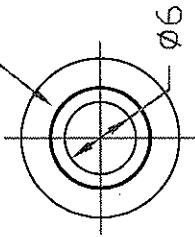
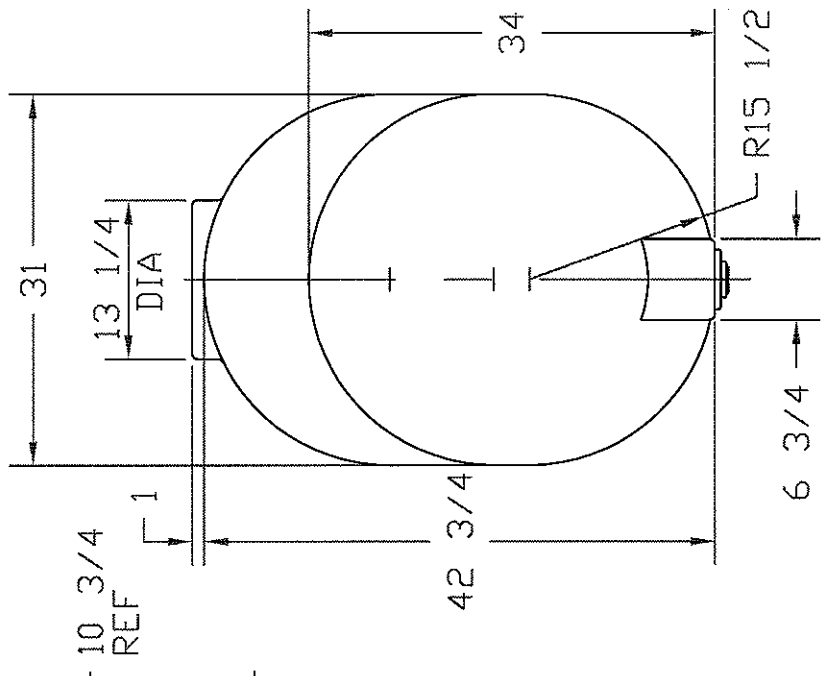
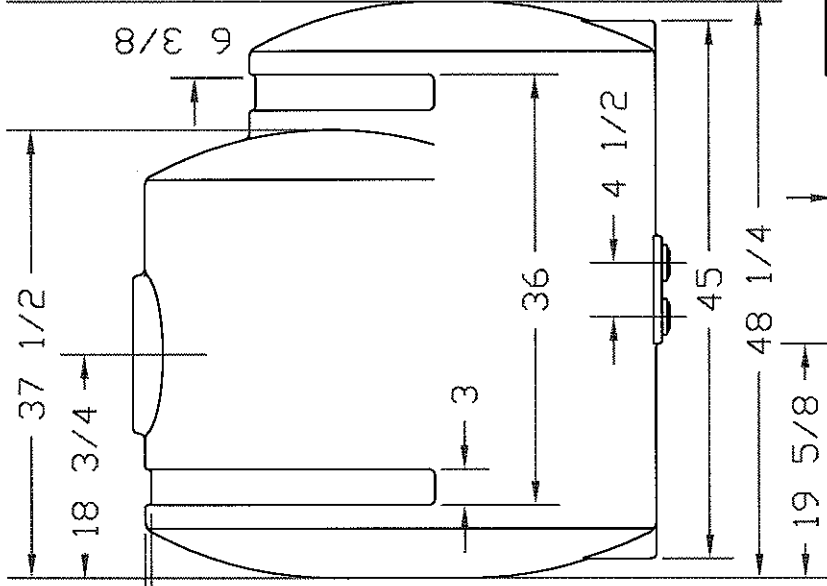


8 1/4 ACME THD



- 36 1/8
- 31 5/16
- 27 5/8
- 24 1/8
- 20 7/8
- 17 3/16
- 13 15/16
- 10 1/2
- 6 5/8
- 0



NORWESCO
ST. BONIFACIUS, MN

200 GALLON X 31
SLIMLINE APPLICATOR TANK

REVISIONS				
ZONE	REV	DESCRIPTION	DATE	APPROVED
	B	REDRAWN	23SEP97	

D	FITTINGS UPDATED	09DEC02	JTP	23SEP97	SCALE 1/16	SHEET
REV	DESCRIPTION	DATE	JTP	23SEP97	SIZE A	FSCM NO.
						DWG NO.
						REV D