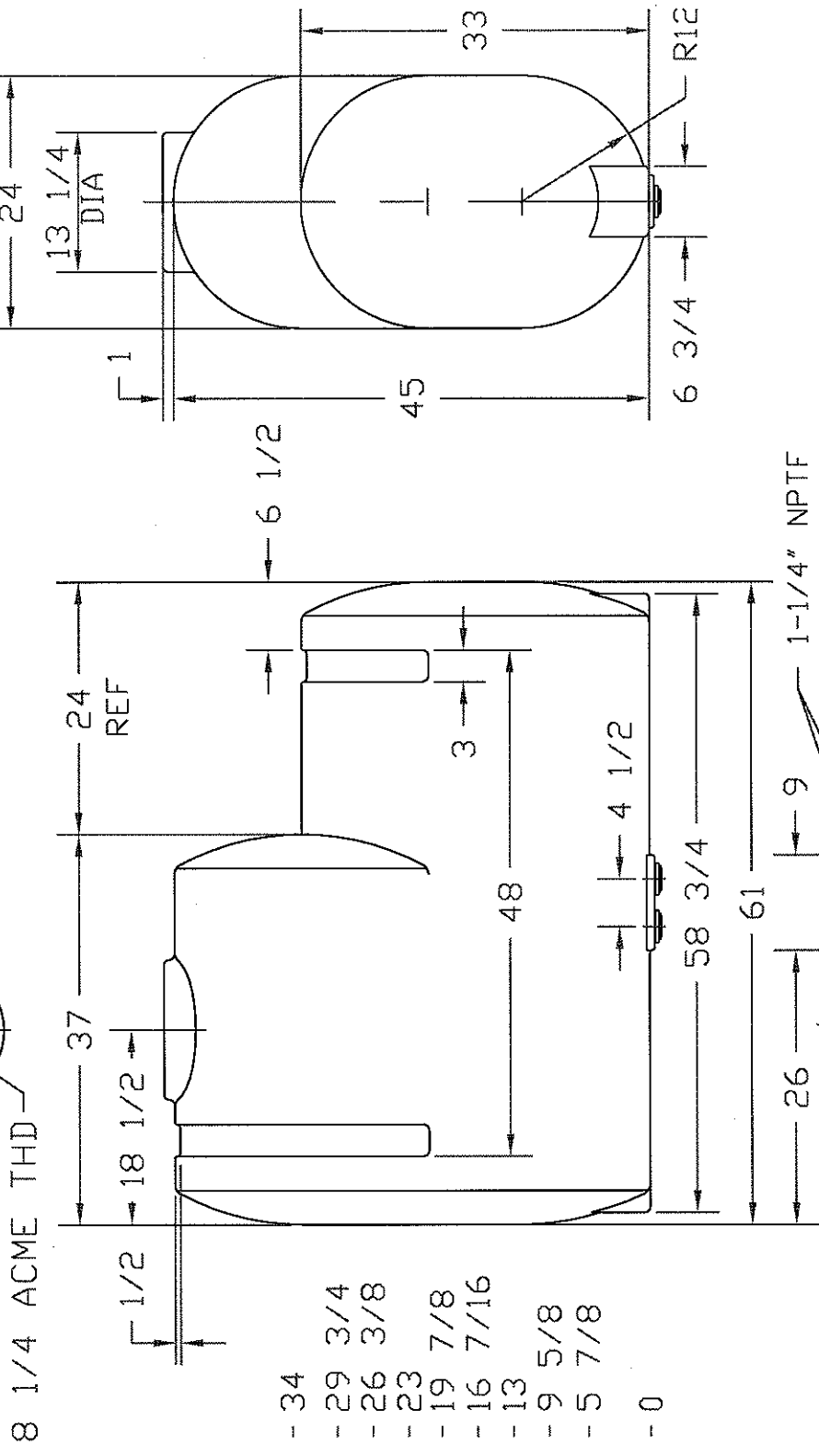
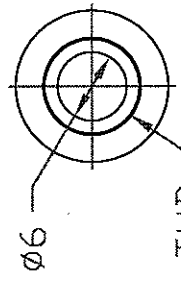


REVISIONS

ZONE	REV	DESCRIPTION	DATE	APPROVED
	B	REDRAWN	23SEP97	



200 GALLON X 24  
SLIMLINE APPLICATOR TANK

SIZE	FSCM NO.	DWG NO.	REV
A			D

JTP	23SEP97	SCALE 1/16	SHEET
-----	---------	------------	-------

D	FITTINGS UPDATED	09DEC02
REV	DESCRIPTION	DATE

REVISIONS