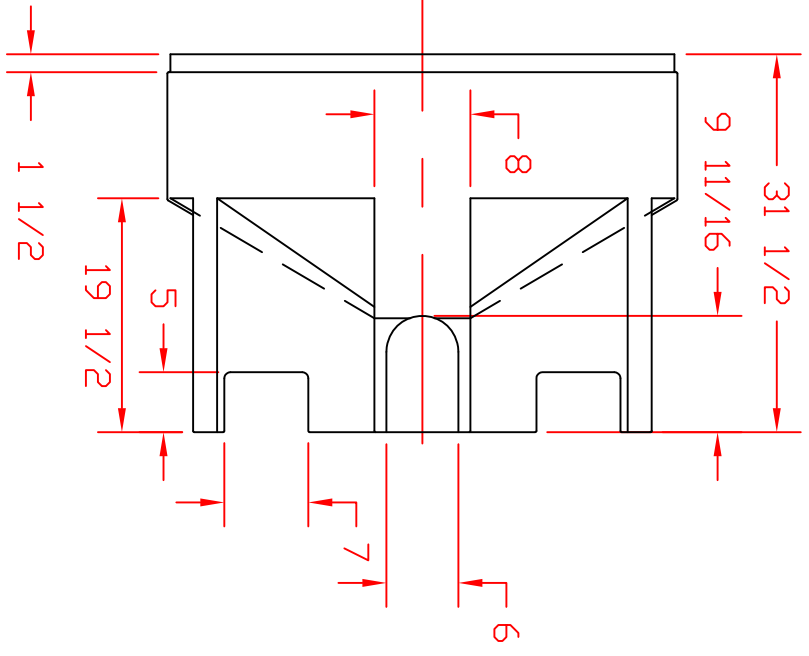
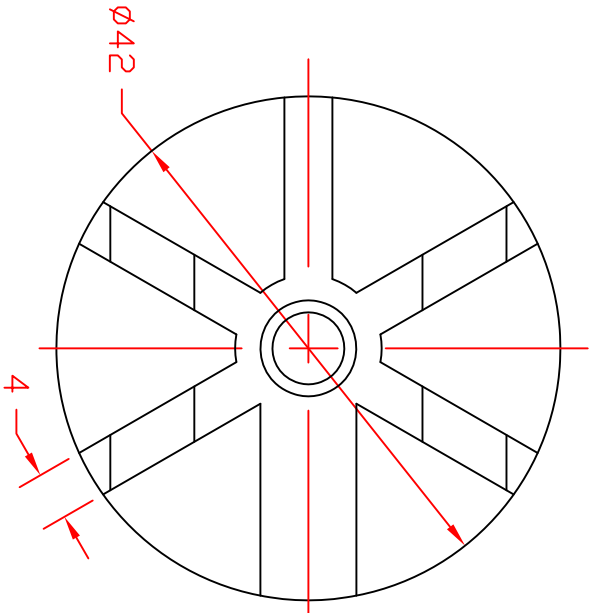



REVISIONS				
ZONE	REV	DESCRIPTION	DATE	APPROVED



 ST. BONIFACIUS, MN		175/310 GALLON CONE BOTTOM BASE			
JTP	30JUN99	SIZE	FSCM NO.	DWG NO.	REV
SCALE 1/16		A		SHEET	