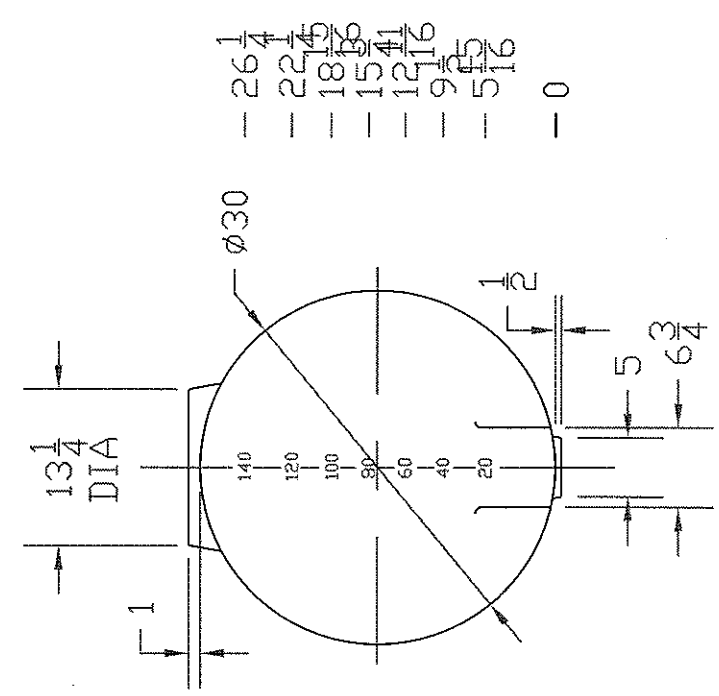
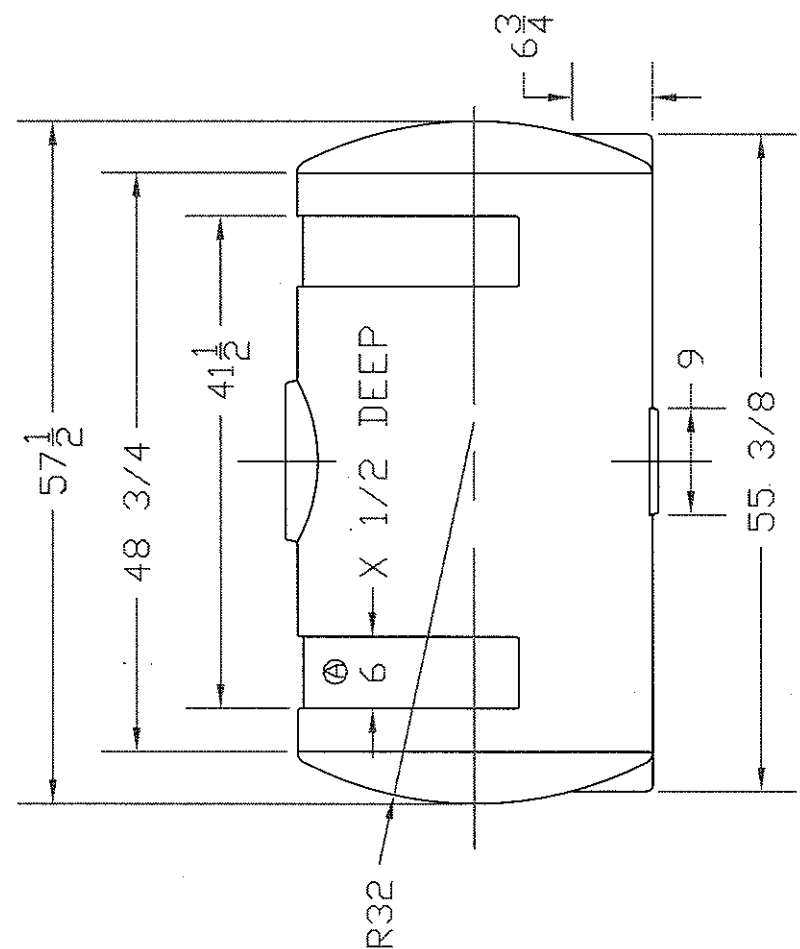
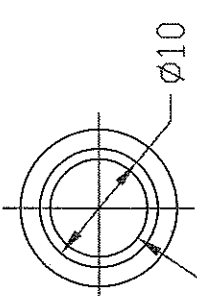


REVISIONS

ZONE	REV	DESCRIPTION	DATE	APPROVED
	A	WAS 3	02SEP04	

8 1/4 ACME THD,
RH, FOR 60002 LID



NORWESCO
ST. BONIFACIUS, MN

150 GALLON X 30 DIAMETER
APPLICATOR TANK

JTP	15SEP94	SIZE	FSCM NO.	DWG NO.	REV	A
				SCALE	1/16	SHEET