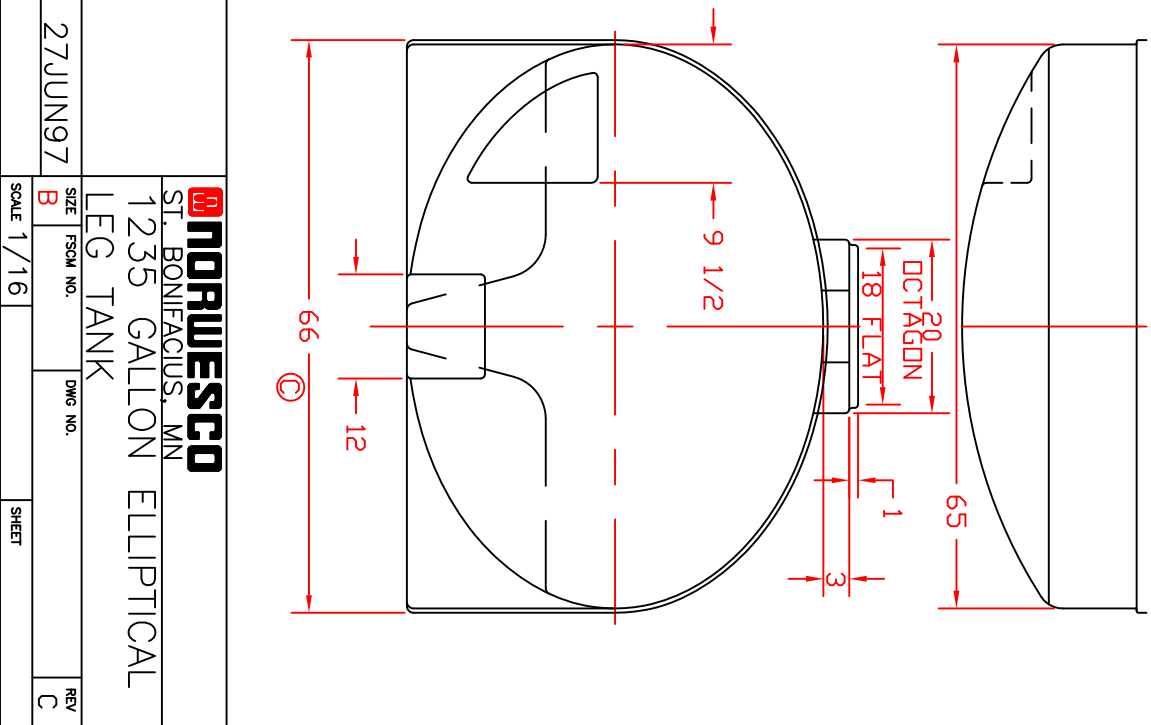
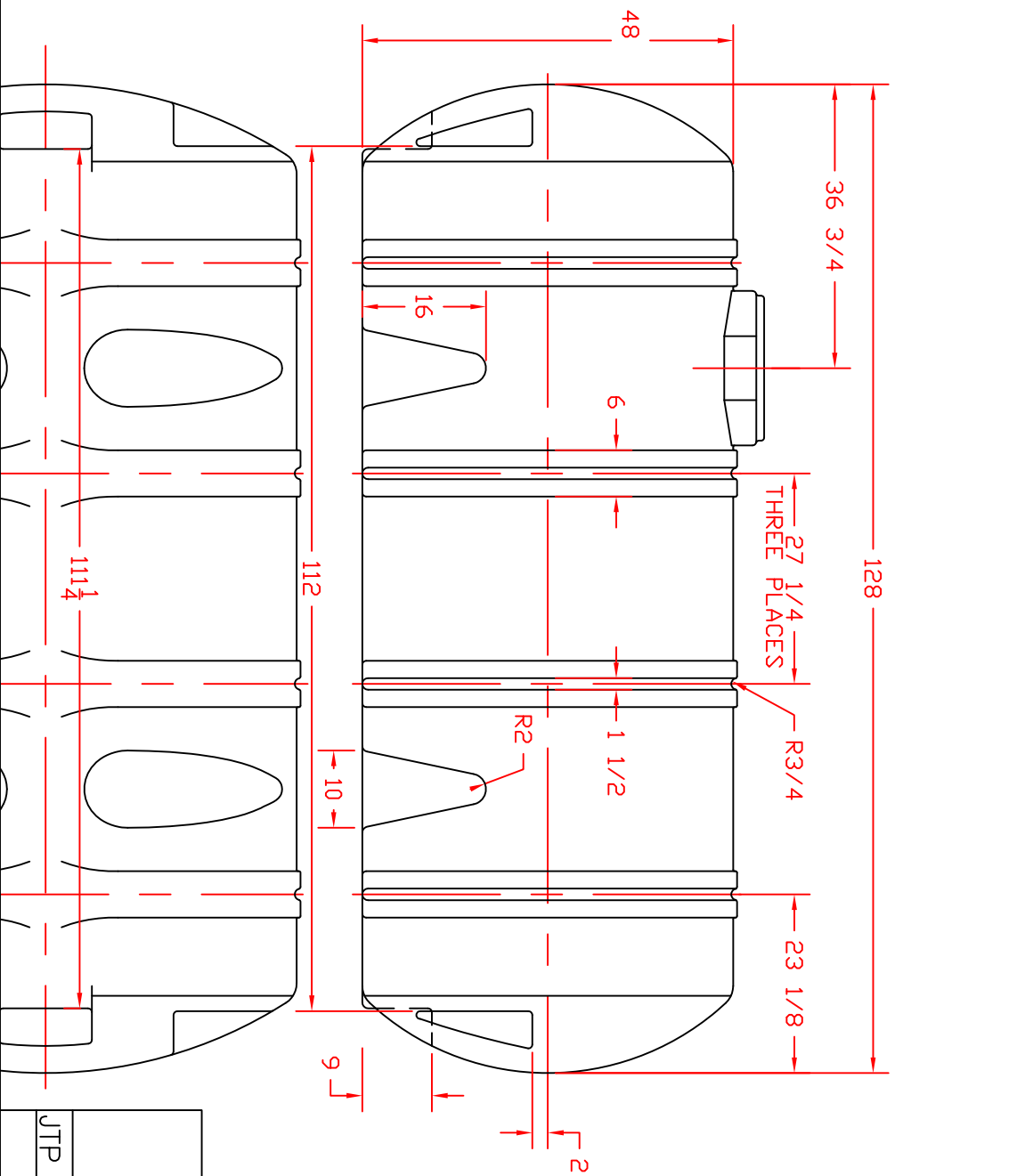


REVISIONS			
ZONE	REV	DESCRIPTION	DATE
	C	ADDED DIM	09FEB04

REVISIONS			
ZONE	REV	DESCRIPTION	DATE
	A	REDRAWN	27 JUN97
	B	SPARGER FLATS REVISED	23OCT98



NORWESCO
 ST. BONIFACIUS, MN
 1235 GALLON ELLIPTICAL
 LEG TANK

JTP 27JUN97
 SCALE 1/16

SIZE FSCM NO. DWG NO. SHEET

REV C