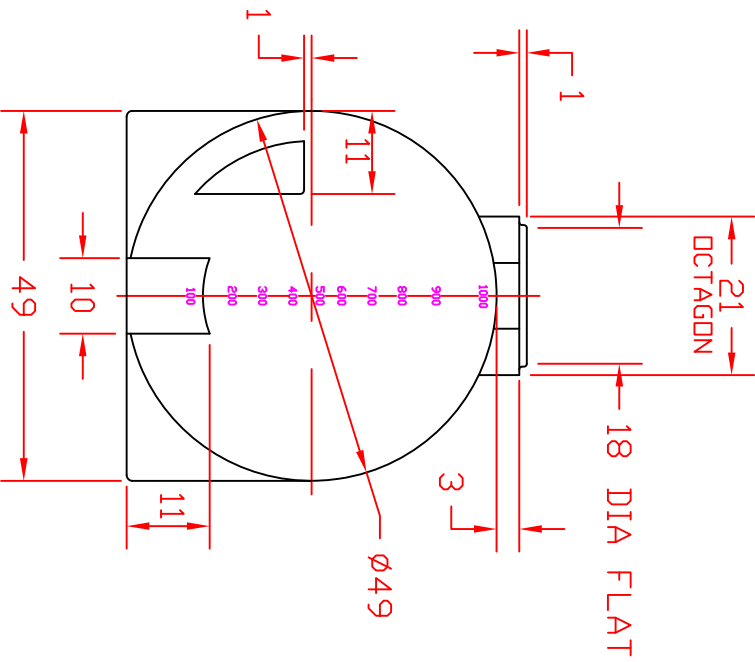
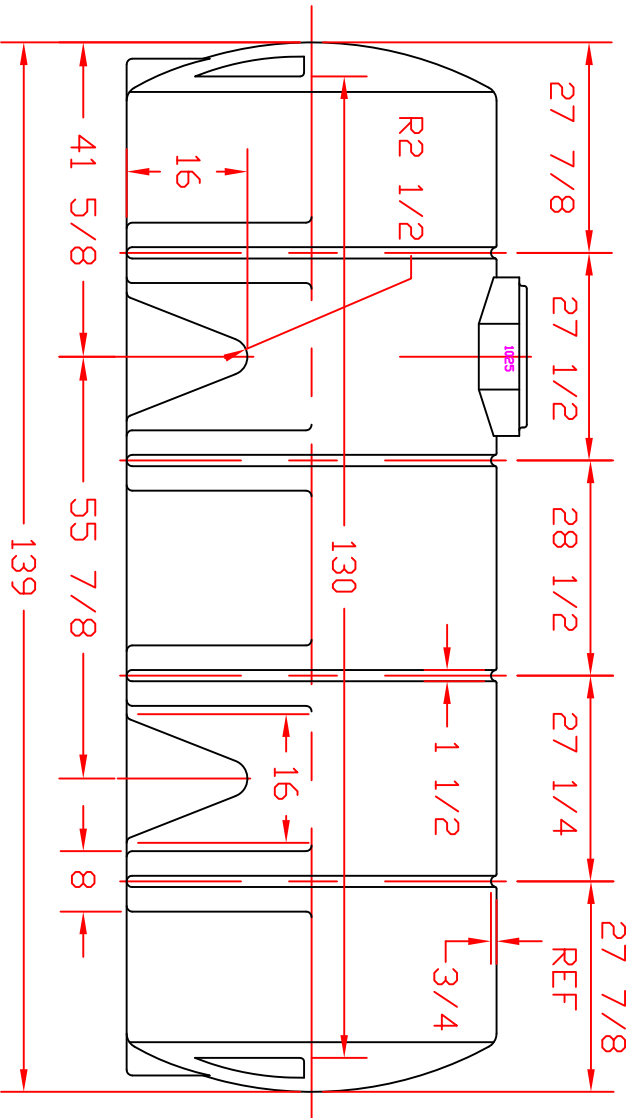


REVISIONS				
ZONE	REV	DESCRIPTION	DATE	APPROVED
C		REDRAWN	06MAY97	



NORWESCO
ST. BONIFACIUS, MN

1025 GALLON HORIZONTAL
STORAGE TANK

JTP 06MAY97

SIZE A
FSCM NO.

DWG NO.

REV C

SCALE 1/24

SHEET