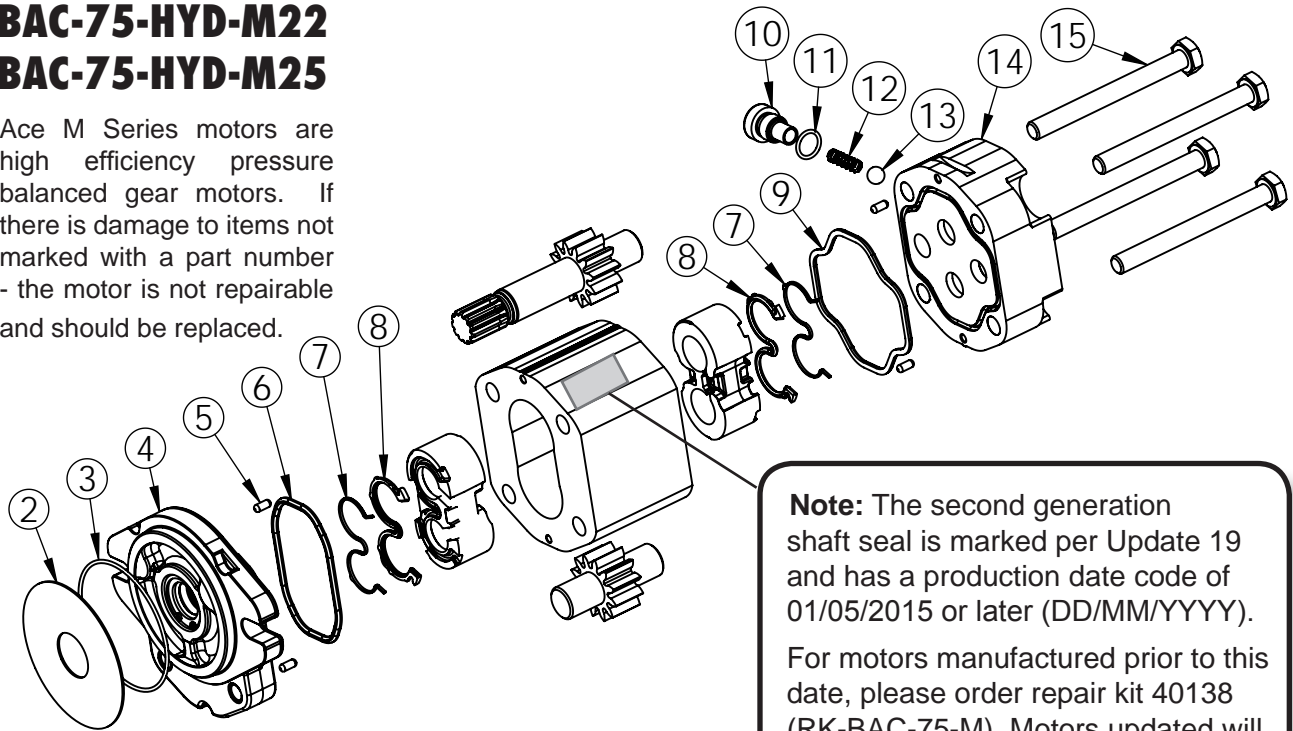




## HYDRAULIC MOTOR PARTS LIST

### BAC-75-HYD-M16 BAC-75-HYD-M22 BAC-75-HYD-M25

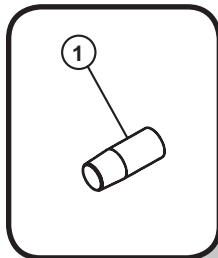
Ace M Series motors are high efficiency pressure balanced gear motors. If there is damage to items not marked with a part number - the motor is not repairable and should be replaced.



**Note:** The second generation shaft seal is marked per Update 19 and has a production date code of 01/05/2015 or later (DD/MM/YYYY).

For motors manufactured prior to this date, please order repair kit 40138 (RK-BAC-75-M). Motors updated will be marked per Update 19.

See Update 19 for more information.



**Important:** The seal installation tool (#1) is required to install the shaft seal. This tool is included with the repair kit RK-BAC-75-M (40138). It prevents damage to the seal lips during installation over the splined shaft.

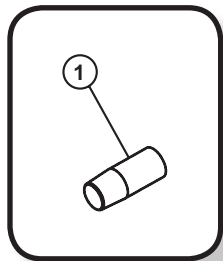
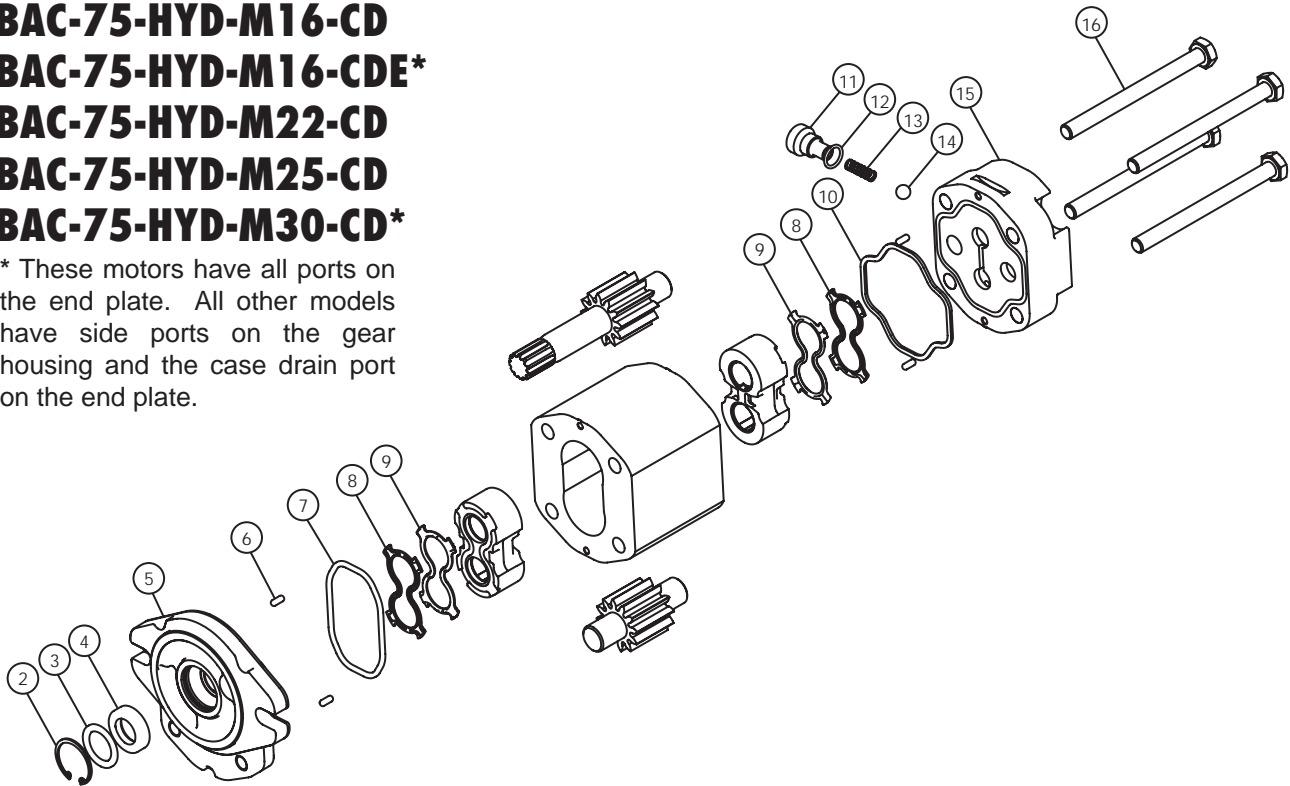
REF #	M16	M22	M25	DESCRIPTION	REQ.
1 <sup>①</sup>	43416	43416	43416	Installation tool, shaft seal	1
2 <sup>①</sup>	43414	43414	43414	Absorbent pad	1
3 <sup>①</sup>	43419	43419	43419	O-ring, flange	1
4 <sup>①</sup>	43418	43418	43418	Drive plate assembly, flange, M motors, Eff. 6/15	1
5	43420	43420	43420	Pin, motor assembly	4
6	43425	43425	43425	Housing seal, front external	1
7	43430	43430	43430	Anti-extrusion seal, M motors	2
8	43435	43435	43435	Compensation seal, M motors	2
9	43440	43440	43440	Housing seal, rear external	1
10	43445	43445	43445	Cap, coasting check	1
11	43450	43450	43450	O-ring, coasting check cap	1
12	43455	43455	43455	Spring, coasting check	1
13	43460	43460	43460	Ball, coasting check	1
14	43465	43465	43465	End plate, cover, #10 SAE end ports	1
15	43470	43475	43475	Cap screw, motor assembly, hex head	4
①	40138	40138	40138	RK-BAC-75-M, Update kit includes 1, 2, 3, & 4	--



## HYDRAULIC MOTOR PARTS LIST

**BAC-75-HYD-M16-CD**  
**BAC-75-HYD-M16-CDE\***  
**BAC-75-HYD-M22-CD**  
**BAC-75-HYD-M25-CD**  
**BAC-75-HYD-M30-CD\***

\* These motors have all ports on the end plate. All other models have side ports on the gear housing and the case drain port on the end plate.



**Important:** The seal installation tool (#1) is required to install the shaft seal. This tool is included with the seal kit BAC-75-M-FKM (40164). It prevents damage to the seal lips during installation over the splined shaft.

REF #	M16-CD	M16-CDE	M22-CD	M25-CD	M30-CD	DESCRIPTION	REQ.
1 <sup>Ⓢ</sup>	43416	43416	43416	43416	43416	Installation tool, shaft seal	1
2	43400	43400	43400	43400	43400	Snap ring, shaft seal retainer	1
3	43407	43407	43407	43407	43407	Spacer ring, shaft seal, M-CD motors	1
4 <sup>Ⓢ</sup>	43411	43411	43411	43411	43411	Shaft seal, Viton, M-CD motors	1
5	43417	43417	43417	43417	43417	Drive plate, flange, M-CD motors	1
6	43420	43420	43420	43420	43420	Pin, motor assembly	4
7	43425	43425	43425	43425	43425	Housing seal, front external	1
8	43431	43431	43431	43431	43431	Anti-extrusion seal, M-CD motors	2
9	43436	43436	43436	43436	43436	Compensation seal, M-CD motors	2
10	43440	43440	43440	43440	43440	Housing seal, rear external	1
11	43450	43450	43450	43450	43450	O-ring, coasting check cap	1
12	43455	43455	43455	43455	43455	Spring, coasting check	1
13	43460	43460	43460	43460	43460	Ball, coasting check	1
14	43467	43466	43467	43466	43466	End plate, cover, #6 case drain port	1
15	43470		43475		43480	Cap screw, motor assembly, hex head	4
①	40164	40164	40164	40164	40164	BAC-75-M-FKM, Shaft seal kit includes items 1 and 4	--