



Magnetic Clutch Driven Centrifugal Pump



FMC-MAG

- Suction 1-1/4" - Discharge 1"
- Counterclockwise Rotation when Facing Shaft End
- Chemical Resistant Valox® or Optional Cast Iron Impeller
- Stainless Steel Shaft and Wear Ring
- Standard Viton Carbon/Ceramic seal or Optional Severe Duty Silicon Carbide Mechanical Seal
- DC 12 Volt Magnetic Clutch Transmits up to 10 HP at 4000 RPM
- 5-1/4" Drive Pulley Diameter
- Uses Standard A or B Section Belt

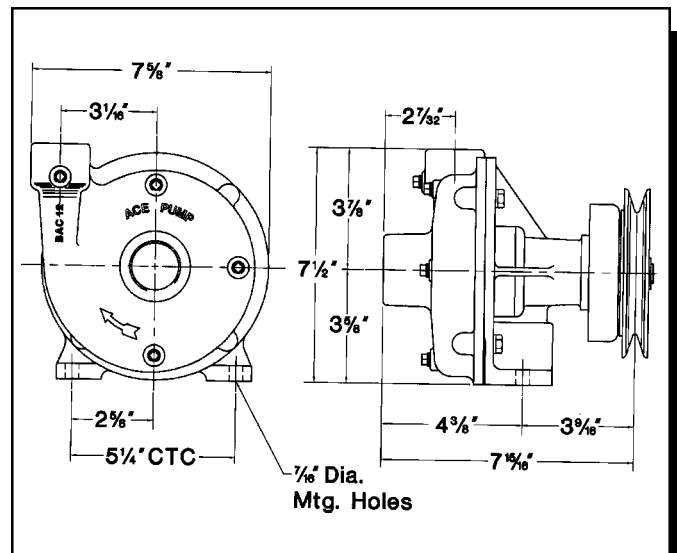
® Registered trademark of GE Plastics

PERFORMANCE CHART

PUMP SHAFT RPM	20	40	60	80	100	120	MAX HP
	PSI	PSI	PSI	PSI	PSI	PSI	
	GPM	GPM	GPM	GPM	GPM	GPM	
3200	55	30	-	-	-	-	1.0
3800	63	50	20	-	-	-	1.7
4400	75	63	60	38	-	-	3.0
5200	75	70	65	61	50	15	4.2

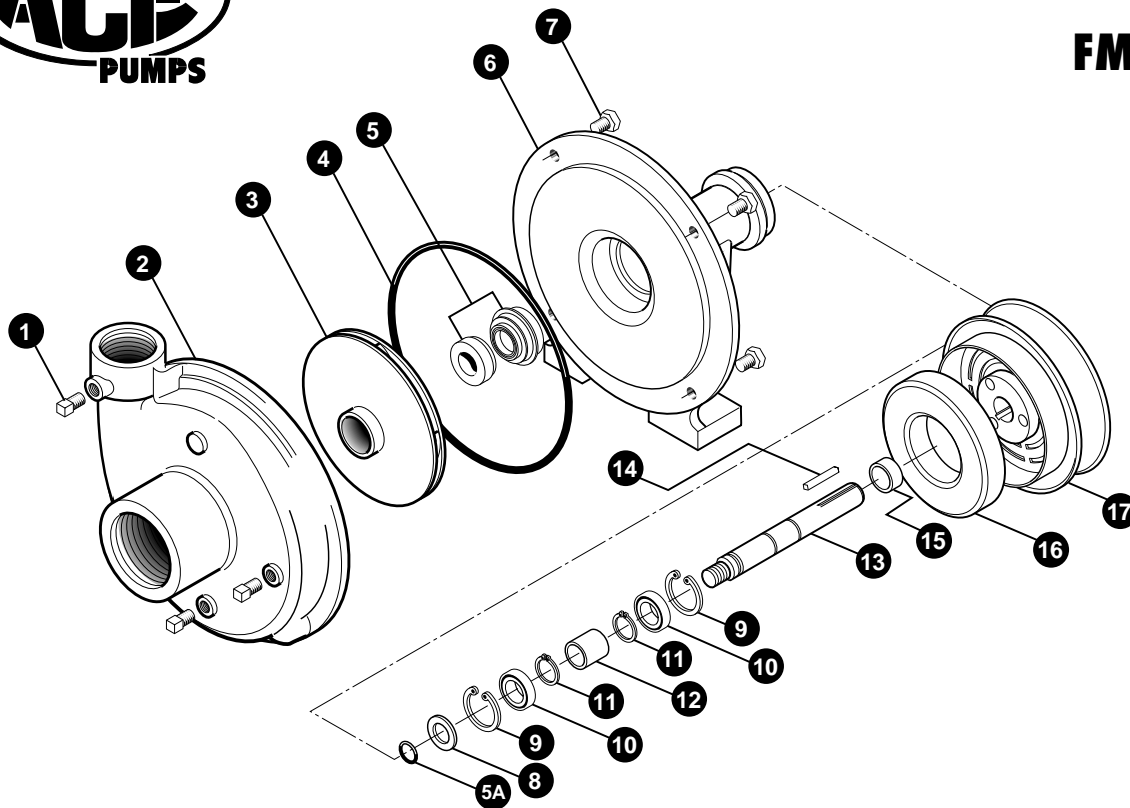
$$\frac{\text{Pump RPM}}{\text{Driveshaft RPM}} = \frac{\text{Drive Pulley Diameter}}{\text{Pump Pulley Diameter}}$$

DIMENSIONS





FMC-MAG



REF. #	PART #	EDP #	DESCRIPTION	REQ.
1	41110	41110	Pipe plug, 1/8" NPT	3
1	41120	41120	Pipe plug, 1/8" NPT, stainless steel (optional)	3
2	BAC-12	40250	Volute, 1 1/4" x 1", cast iron	1
3	BAC-26-VALOX	40430	Impeller, Valox, left hand thread	1
3	BAC-26-CI	40432	Impeller, cast iron, left hand thread (optional)	1
*4	BAC-4A	40005	"O" Ring for BAC-12 volute seal, effective Apr. '96	1
*4	BAC-4	40010	Gasket, 4 hole	1
*5	BAC-7V	40151	Seal, Viton mechanical seal (includes 40160 "O" ring)	1
5	BAC-7SC	40152	Seal, Silicon carbide mechanical seal (includes 40160 "O" Ring)(optional)	1
5A	40160	40160	"O" Ring for BAC-6 shaft	1
6	BAC-14-MAG	40285	Mounting frame, machined to accept magnetic clutch assembly	1
7	40930	40930	Cap screw, 3/8" NC x 3/4" Hex head, stainless steel (optional)	4
7	40950	40950	Cap screw, 3/8" NC x 3/4" Hex head	4
8	BAC-54	41130	Slinger	1
9	BAC-33	40810	Snap ring, internal, BAC-14 mounting frame	2
10	BAC-37	40870	Bearing, BAC-6 driven shaft	2
11	BAC-32	40790	Snap ring, external, BAC-6 driven shaft	2
12	BAC-32-S	40795	Spacer for BAC-6 shaft	1
13	BAC-6	40050	Shaft, 5/8" Driven shaft, left hand course thread (optional)	1
13	BAC-6- SS	40070	Shaft, 5/8" Driven shaft, left hand thread, stainless steel	1
14	BAC-50	41080	Key, 3/16" x 3/16" x 1 1/4"	1
15	41477	41477	Spacer, clutch	1
16	41476	41476	Coil ring, 12 volt, DC activated	1
17	41479	41479	5 1/4" Pulley assembly complete with bearing and clutch driver	1
#	RK-FMC	052700	Repair kit for FMC series	-
#	41475	41475	Magnetic clutch assembly, includes 41476, 41477, and 41479	-

* Items included in pump repair kit.

Ace Pump Corporation • P.O. Box 13187 - 1650 Channel Avenue • Memphis, TN 38113
 www.AcePumps.com • Phone: 901-948-8514 • Fax: 901-774-6147