



# Small Displacement Hydraulic Motor Driven Centrifugal Pump



## FMC-HYD-202 & -203

- Suction 1-1/4" Discharge 1"
- **-202** motor requires 2 GPM hydraulic flow LS Closed and Open Center Systems
- **-203** motor requires 3 GPM hydraulic flow LS Closed and Open Center Systems
- Integral Needle Valve bypasses up to 9 GPM on Open Center Systems
- Standard Viton® Carbon/Ceramic seal or Optional Severe Duty Silicon Carbide Mechanical Seal
- Chemical Resistant Valox® or Optional Cast Iron Impeller
- Stainless Steel Shaft and Wear Ring

Valox® is a registered trademark of GE Plastics.  
 Viton® is a registered trademark of DuPont Dow Elastomers.

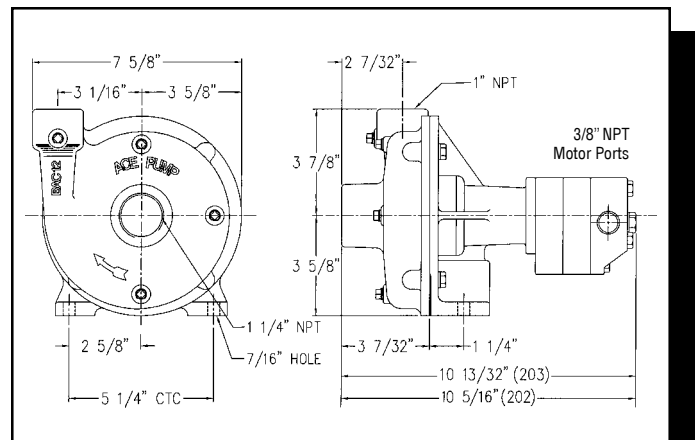
### 202 PERFORMANCE CHART

SHUT-OFF 0 GPM	20 GPM	40 GPM	60 GPM	70 GPM
100 PSI	98 PSI	72 PSI	50 PSI	20 PSI
80 PSI	78 PSI	72 PSI	47 PSI	20 PSI

### 203 PERFORMANCE CHART

SHUT-OFF 0 GPM	20 GPM	40 GPM	60 GPM	70 GPM
100 PSI	98 PSI	93 PSI	75 PSI	37 PSI
80 PSI	78 PSI	74 PSI	62 PSI	36 PSI

### DIMENSIONS

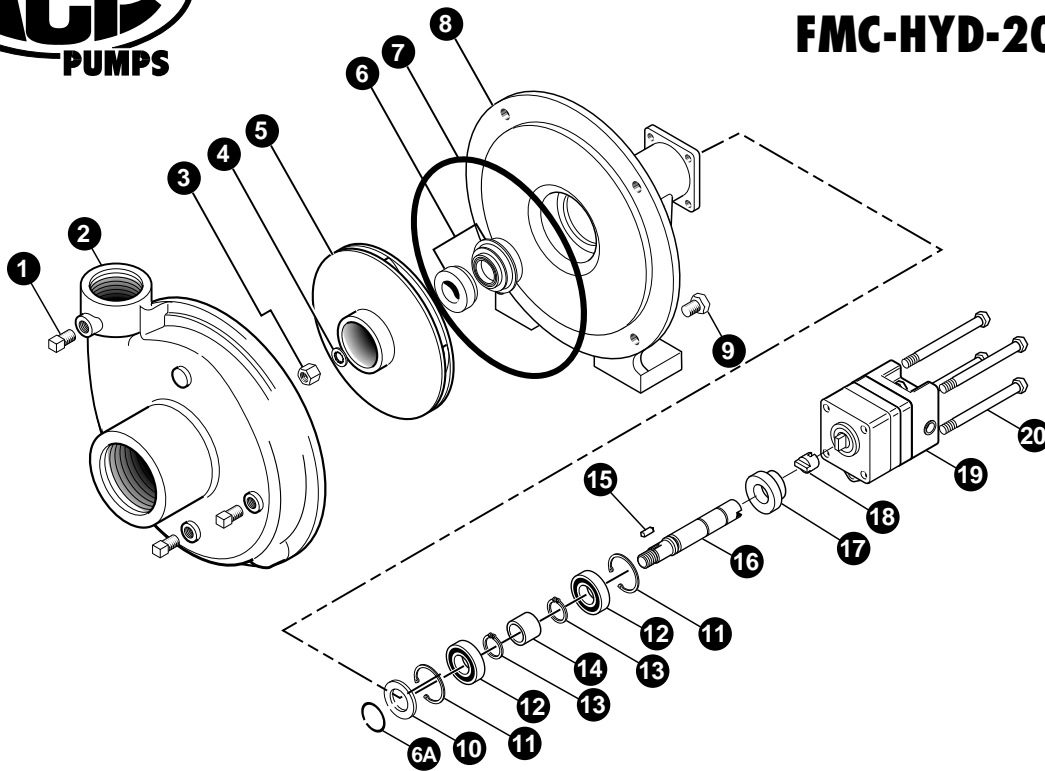


Use the SHUT-OFF pressure of your spraying system to determine which line of data applies. The hydraulic system input pressure and flow will vary within the chart. Contact factory for more data.

**MAXIMUM SHUT-OFF PRESSURE - 100 PSI**



# FMC-HYD-202 &-203



REF. #	PART NUMBER	EDP #	DESCRIPTION	REQ.
1	41110	41110	Pipe plug	3
1	41120	41120	Pipe plug, stainless steel (optional)	3
2	BAC-12	40250	Volute, 1 1/4" x 1"	1
3	BAC-23-A	40391	Nut, 3/8" NF, cad plated	1
4	BAC-24-HYD-SS	40400	Washer, 3/8" star, stainless steel	1
5	BAC-26-HYD-VALOX	40440	Impeller, Valox, keyway	1
5	BAC-26-HYD-CI	40442	Impeller, cast iron, keyway (optional)	1
*6	BAC-7V	40151	Seal, mechanical, Viton (includes 40160)	1
6	BAC-7SC	40152	Seal, mechanical, silicon carbide (includes 40160), optional	1
6A	40160	40160	O-ring, shaft seal	1
*7	BAC-4	40010	Gasket, 4 hole, (obsolete 1996)	1
*7	BAC-4A	40005	O-ring, body seal	1
8	BAC-14-HYD	40300	Mounting frame (for -200 Series hydraulic motors)	1
9	40950	40950	Cap screw, 3/8" NC x 3/4" hex head	4
9	40930	40930	Cap screw, 3/8" NC x 3/4" hex head, stainless steel (optional)	4
10	BAC-54	41130	Slinger	1
11	BAC-33	40810	Snap ring, internal, BAC-14 mounting frame	2
12	BAC-37	40870	Ball bearing, sealed, BAC-6 shaft	2
13	BAC-32	40790	Snap ring, external, BAC-6 shaft	2
14	BAC-32-S	40795	Spacer for BAC-6 shaft	1
15	BACH-25	40420	Key, 1/8" x 1/8" x 1/2"	1
16	BAC-6-HYD	40060	Shaft, 5/8" diameter, keyway and tang slot (optional)	1
16	BAC-6-HYD-SS	40061	Shaft, 5/8" diameter, keyway and tang slot, stainless steel	1
17	S200	40161	Seal support spacer, 200 Series motor lip seal; effective 6/00	1
18	BAC-76-HYD	41380	Coupling for hydraulic motor	1
19	BAC-75-HYD-202	41368	Hydraulic motor, 2 GPM	1
19	BAC-75-HYD-203	41367	Hydraulic motor, 3 GPM	1
20	41256	41256	Cap screw, 5/16" NC x 3 1/2" hex head (for 204 and 203 motor)	4
20	41250	41250	Cap screw, 5/16" NC x 3 1/4" hex head (for 202 motor)	4
#	RK-FMC	52700	Repair kit for FMC series pump	1
#	RK-BAC-75-HYD	41371	Repair kit for 202, 203, 204, 206, and 210 motor	1
#	RD-BAC-75-HYD-L	41374	Repair kit for 200 series HYD motors equipped with Teflon lip seal	1

\* Items included in pump repair kit.

**Ace Pump Corporation • P.O. Box 13187 - 1650 Channel Avenue • Memphis, TN 38113**  
**www.AcePumps.com • Phone: 901-948-8514 • Fax: 901-774-6147**

Ace Form # FMC-HYD-202/203  
 Revised 04/01