

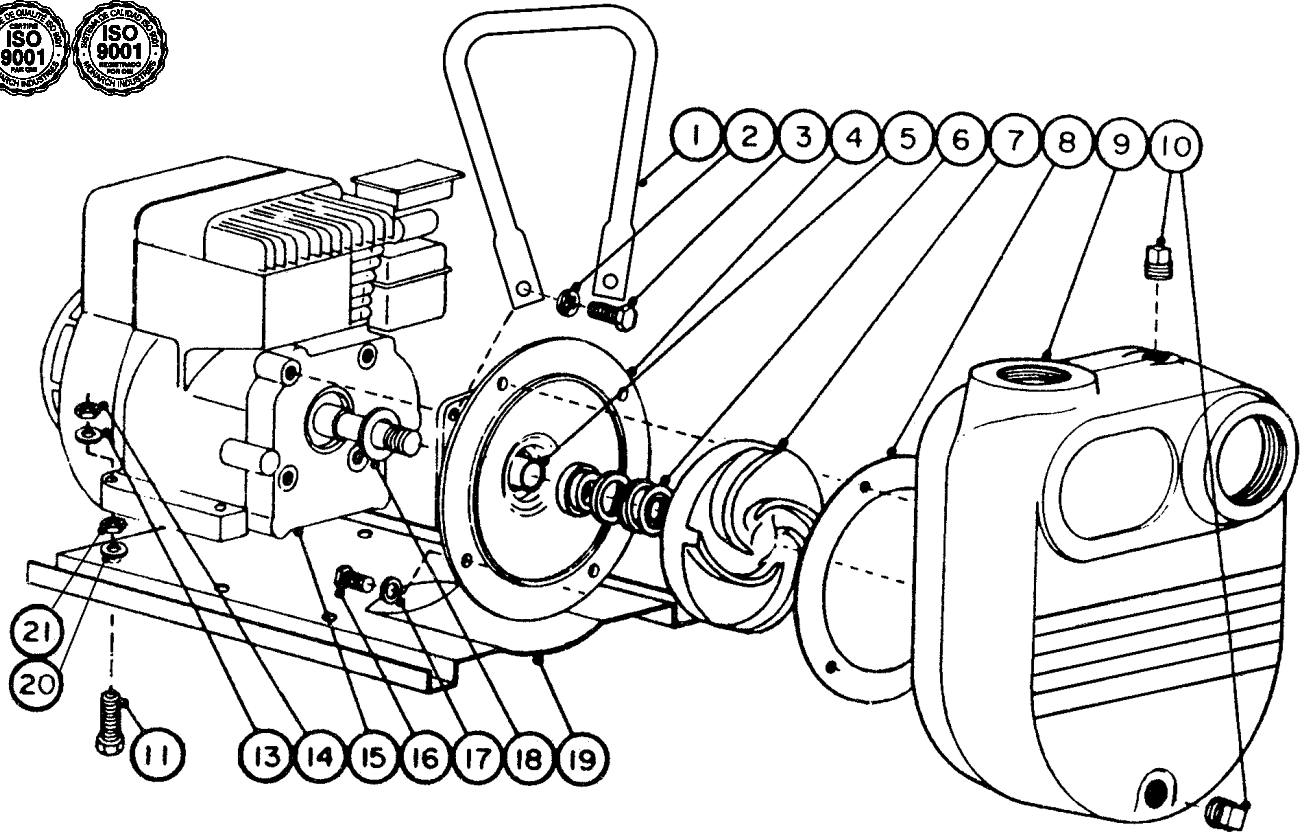
REPAIR PARTS LIST

LISTE DE PIÈCES DE RECHANGE

LISTA DE PIEZAS DE REPARACIONES

BSGF SERIES/SÉRIE/SERIE

Self Priming Centrifugal Pumps
Pompes Centrifuges à Auto Amorçage
Bombas centrifugas de autocargado



Models / Modèles / Modelos:

- a = BSGF-8 b = 5BSGF-8 c = BSGF-10 d = BSGF-12 e = 8BSGF-12
- BSGF-8H 5BSGF-8H BSGF-10H BSGF-10H 8BSGF-12H
- BSGF-8IC 5BSGF-8IP (Type/TipoB)
- BSGF-8IP 5BSGF-8IC 8BSGF-12IC
- BSGF-8V 8BSGF-12IP

Ref.#	Code #	a	b	c	d	e	Description	Description	Déscription
1	414145				1		Handle	Poignée	Manija
1	414149				1		Handle	Poignée	Manija
1	414142				1		Handle (8BSGF-12 & 8BSGF-12IC)	Poignée (8BSGF-12)	Manija (8BSGF-12)
1	433184				1		Handle (8BSGF-12H)	Poignée (8BSGF-12H)	Manija (8BSGF-12H)
1	401666	1					Handle (BSGF-8IP)	Poignée (BSGF-8IP)	Manija (BSGF-8IP)
1	401664	1	1				Handle (5BSGF-8, 5BSGF-8IC, BSGF-10)	Poignée (5BSGF-8, 5BSGF-8IC, BSGF-10)	Manija (5BSGF-8, 5BSGF-8IC, BSGF-10)
1	401662	1	1	1			Handle	Poignée	Manija
2	176687	4	4	4	4		Toothlock Washer, 5/16" Zinc Plated	Rondelle de blocage 5/16 dentelée/ recouv. zinc	Arandela de encaje de 5/16 pulg. ench. en zinc
3	225961	4	4	4			Bolt, 5/16" UNF x 3/4" Zinc Plated	Boulon, 5/16 UNF x 3/4 recouv. zinc	Perno, 5/16 pulg. UNC x 3/4 pulg. ench. en zinc
3	225971				4		Bolt, 5/16" UNF x 7/8" Zinc Plated	Boulon, 5/16 UNF x 7/8 recouv. zinc	Perno, 5/16 pulg. UNC x 7/8 pulg. ench. en zinc
3	226220				2		Bolt, 3/8" UNC x 1 1/4" Zinc Plated	Boulon, 3/8 UNC x 1 1/4 recouv. zinc	Perno, 3/8 pulg. UNC x 1 1/4 pulg. ench. en zinc
3	226230				2		Bolt, 3/8" UNC x 1 1/2" Zinc Plated	Boulon, 3/8 UNC x 1 1/2 recouv. zinc	Perno, 3/8 pulg. UNC x 1 1/2 pulg. ench. en zinc
4	438275						Adapter	Adaptateur	Adaptador
4	238283	1	1	1			Adapter	Adaptateur	Adaptador
4	438480				1		Adapter	Adaptateur	Adaptador
4	438481				1		Adapter	Adaptateur	Adaptador
5*	266000	1	1	1	1		Sleeve	Manchon	Manga
5*	266006				1		Sleeve SST	Manchon en acier inoxydable	Manga SST en acero inoxidable
6*	240344	1	1	1	1		Mechanical Seal, 3/4" I.D.	Joint mécanique 3/4 D.I.	Sello mecánico, 3/4 pulg. I.D.

200333R18 0607

Water Systems
Systèmes d'eau
Sistemas De Agua

Sump and Sewage
Puits et égouts
Sumideros & Desagües

Lawn and Sprinkler
Pompes d'arrosage
pour pelouse et jardin
Bombas Por Aspersión
Para Riego De Jardines

Electric Motor Driven
Pompes à moteur
électrique
Impulsadas Por Motor
Eléctrico

Engine Driven
Pompes à moteur à
essence
Impulsadas Por Motor
esencia

Frame Mount
Montées sur châssis
Para Acople

Hand Pumps
Pompes manuelles
Bomba Manuales

Irrigation and Industrial
Pompes d'irrigation et
pompes industrielles
Bombas Para Irrigación
& Industrials

Ref.#	Code #	a	b	c	d	e	Description	Description	Déscription
6*	240359					1	Mechanical Seal, 1 1/4" I.D.	Joint mécanique 1 1/4 D.I.	Sello mecánico, 3/4 pulg. I.D.
7*	438191	1	1				Impeller	Roue de turbine	Propulsor
7*	438202			1			Impeller	Roue de turbine	Propulsor
7*	438477				1		Impeller	Roue de turbine	Propulsor
7*	438475					1	Impeller	Roue de turbine	Propulsor
8*	193930	1	1	1			Gasket	Joint d'étanchéité	Junta
8*	193919					1	Gasket	Joint d'étanchéité	Junta
9	438057	1	1	1			Casing - yellow	Boîtier - jaune	Cuerpo - amarillo
9	438490					1	Casing	Boîtier	Cuerpo
10	185650	2	2	2	2	2	Pipe Plug, 3/4" NPT Galv.	Bouchon de tuyau, 3/4 NPT Galv.	Tapón de tubería de 3/4 de pulg. NPT galv.
11	226000	4	4	4	4	4	Bolt, 5/16" UNC x 1 1/2" Zinc Pl.	Boulon, 5/16 UNC x 1 1/2 recouv. de zinc	Perno, 5/16 pulg. UNC x 1 1/2 pulg. ench.en zinc
11	226010					4	Bolt. 5/16" UNC 1-3/4 Zinc PL	Boulon, 5/16 UNC x 1-3/4 recouvert de zinc	Perno, 5/16 pulg. UNC x 1-3/4 pulg. ench en zinc
13	176220	4	4	4	4	4	Spring Washer, 5/16" Zinc Plated	Rondelle de ressort, 5/16 recouvert de zinc	Arandela de resorte, 5/16 pulg. ench. en zinc
14	227820	4	4	4	4	4	Nut, 5/16" UNC Zinc Plated	Écrou, 5/16 UNC recouvert de zinc	Tuerca, 5/16 pulg. UNC enchap. en zinc
15	201950	1					Engine, B&S, 3.5HP	Moteur, B&S, 3.5 CV	Motor, B&S, 3.5HP
15	201952	1					Engine, B&S/IC, 3.5HP	Moteur, B&S/IC, 3.5 CV	Motor, B&S/IC, 3.5HP
15	202000	1					Engine, Honda, 4HP #GX120TX	Moteur, Honda 4 CV #GX120TX	Motor, Honda, 4HP #GX120TX
15	201905	1					Engine, B&S/IP, 3.5HP	Moteur, B&S/IP, 3.5 CV	Motor, B&S/IP, 3.5HP
15	201907	1					Engine, B&S Vanguard, 4HP	Moteur, B&S Vanguard, 4 CV	Motor, B&S Vanguard, 4HP
15	201915		1	1	1		Engine, B&S Intek, 5.5HP	Moteur, B&S Intek, 5.5 CV	Motor, B&S Intek, 5.5HP
15	202001		1	1			Engine, Honda, 5.5HP #GX160TX	Moteur, Honda, 5.5 CV #GX160TX	Motor, Honda, 5.5HP #GX160TX
15	201910		1				Engine, B&S Intek I/C, 5.5HP	Moteur, B&S Intek I/C, 5.5 CV	Motor, B&S Intek I/C, 5.5HP
15	201909	1					Engine, B&S Vanguard, 5.5 HP	Moteur, B&S Vanguard, 5.5 CV	Motor, B&S Vanguard, 5.5 HP
15	201908		1				Engine, B&S Intek/OG 5.5HP	Moteur, B&S Intek/OG 5.5HP	Motor, B&S Intek/OG 5.5HP
15	201918					1	Engine, B&S, 8HP	Moteur, B&S, 8 CV	Motor, B&S, 8HP
15	202002					1	Engine, Honda, 9HP #GX270PX	Moteur, Honda, 9 CV #GX270PX	Motor, Honda, 9HP #GX270PX
15	201919					1	Engine, B&S/IC, 8 HP	Moteur, B&S/IC, 8 CV	Motor, B&S/IC, 8 HP
15	201929					1	Engine, B&S Intek I/C, 8HP	Moteur, B&S/IP, 8 CV	Motor, B&S/IP, 8HP
15	201930					1	Engine, B&S Vanguard, 9 HP	Moteur, B&S Vanguard, 9 CV	Motor, B&S Vanguard, 9 HP
16	124191	4	4	4		4	Bolt, 3/8" UNC x 3/4" SST	Boulon, 3/8 UNC x 3/4	Perno, 3/8 pulg. UNC x 3/4 pulg. SST
16	172971					4	Stud 3/8" UNC x 1-1/4" SST	Bouton, 3/8 UNC x 3/4	Passador, 3/8 UNC x 3/4
17*	175500	4	4	4			Aluminum Washer, 3/8"	Rondelle d'aluminium, 3/8	Arandela de aluminio, 3/8 pulg.
18*	191141		1	1	1		Flinger (except 5BSGF-8H & BSGF-8IP)	Cavalier (excepté 5BSGF-8H & BSGF-8IP)	Anillo de goma (excepto 5BSGF-8H & BSGF-8IP)
18*	191142	1					Flinger	Cavalier	Anillo de goma
18*	191270					1	Flinger (8BSGF-12IC)	Cavalier (8BSGF-12IC)	Anillo de goma (8BSGF-12IC)
18*	194140	1				1	Flinger (BSGF-8IC & BSGF-8V)	Cavalier (BSGF-8IC & BSGF-8V)	Anillo de goma (BSGF-8IC & BSGF-8V)
19	414140	1	1	1	1		Base Plate	Base	Plancha de la base
19	414143					1	Base (not as shown)	Base (non illustré)	Base (no mostrada)
20	037070					4	Spacer	Entretoise	Espaciador
20	016350					4	Spacer (8BSGF-12)	Entretoise (8BSGF-12)	Espaciador (8BSGF-12)
21	174986					4	Washer Plain 3/8"	Rondelle plate, 3/8"	Arandela ordinaria, 3/8"
N/S	227830					4	Nut, 3/8" UNC Zinc Plated	Écrou, 3/8" UNC recouv. de zinc	Tuerca, 3/8 pulg. UNC ench. en zinc

*Suggested Parts to Stock.

*Stockage suggéré

*Partes sugeridas para el inventario.

IMPORTANT: When ordering parts specify the model and type, code number and part description.

IMPORTANT: Pour commander, indiquer le modèle, le type, le numéro de code et la description des pièces.

IMPORTANTE: Cuando pida las piezas especifique el modelo, tipo, número de código y la descripción del mismo.

N/S: Not Shown

NI: Non Illustré

N/S: No se muestra

Water Systems
Systèmes d'eau
Sistemas De Agua

Sump and Sewage
Puits et égouts
Sumideros & Desagües

Lawn and Sprinkler
Pompes d'arrosage
pour pelouse et jardin
Bombas Por Aspersión
Para Riego De Jardines

Electric Motor Driven
Pompes à moteur
électrique
Impulsados Por Motor
Eléctrico

Engine Driven
Pompes à moteur à
essence
Impulsados Por Motor

Frame Mount
Montés sur châssis
Para Acople

Hand Pumps
Pompes manuelles
Bomba Manuales

Irrigation and Industrial
Pompes d'irrigation et
Pompes Industrielles
Bombas Para Irrigación
& Industrials