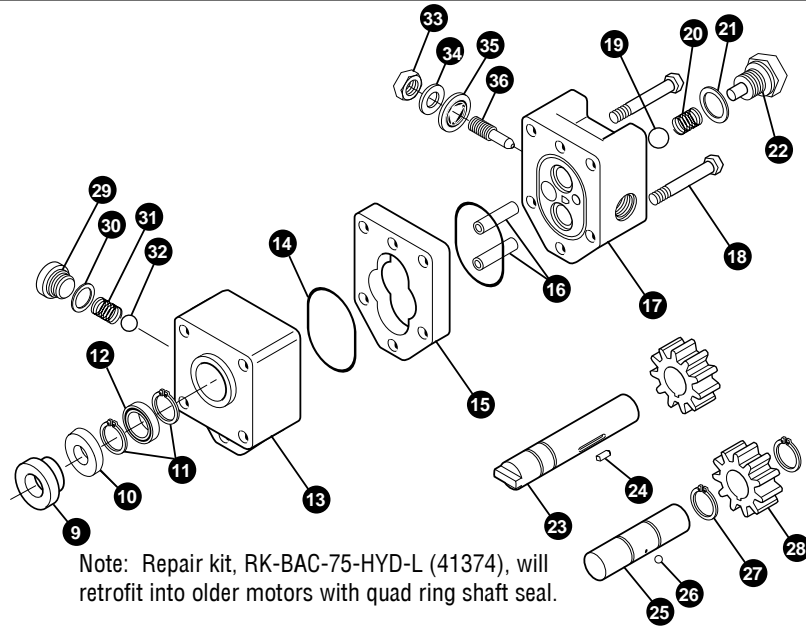
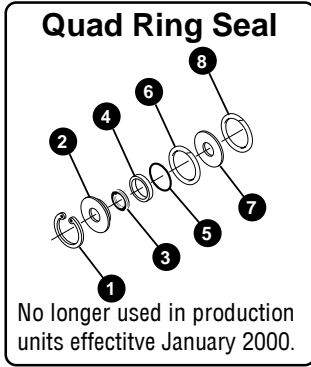




## HYDRAULIC MOTOR PARTS LIST

### BAC-75-HYD-202 BAC-75-HYD-203



REF. #	MODEL 202	MODEL 203	DESCRIPTION	REQUIRED
1	41890	41890	Retaining ring, shaft seal	1
2	41770	41770	Seal retainer, steel	1
3①	41880	41880	Quad ring shaft seal	1
4	41840	41840	Collar, quad ring shaft seal	1
5①	41870	41870	"O" ring, seal collar	1
6①	41860	41860	"O" ring, seal retainer	1
7	41810	41810	Backup washer, steel	1
8	41830	41830	Bearing spacer, wire ring	1
9②	40161	40161	Seal support spacer ("L" models)	1
10②	40153	40153	Seal cartridge ("L" models)	1
11	41941	41941	Snap ring, bearing	2
12	41961	41961	Ball bearing, 7/16" I.D.	1
13	41731	41731	Drive plate	1
14①②	41850	41850	"O" ring, housing seal	2
15	41718	41719	Gear housing	1
16	41799	41799	Dowel pin, housing	2
17	41740	41740	End plate	1
18	41899	41899	Cap screw, 1/4" N.C. hex head	2
19	41950	41950	Ball, reverse flow check	1
20	41780	41780	Spring, reverse flow check	1
21	41820	41820	Washer, nylon, reverse flow check	1
22	41790	41790	Valve cap, reverse flow check	1
23	41758	41759	Drive shaft	1
24	41921	41925	Dowel pin, drive shaft	1
25	41968	41969	Idler shaft	1
26	41990	41990	Ball, idler shaft	1
27	41980	41980	Retaining ring, idler gear	2
28	41748	41749	Gear	2
29	42041	42041	Valve cap, coasting check	1
30①②	42044	42044	"O" ring, coasting check	1
31	42042	42042	Spring, coasting check	1
32	42043	42043	Ball, coasting check	1
33	40960	40960	Nut, 3/8" N.C. jam, needle valve	1
34	42040	42040	Washer, flat steel, needle valve	1
35①②	42030	42030	Thread seal, 3/8", needle valve	1
36	42010	42010	Adjusting screw, needle valve	1
①	41371	41371	Repair Kit, RK-BAC-75-HYD	--
②	41374	41374	Repair Kit, RK-BAC-75-HYD-L	--