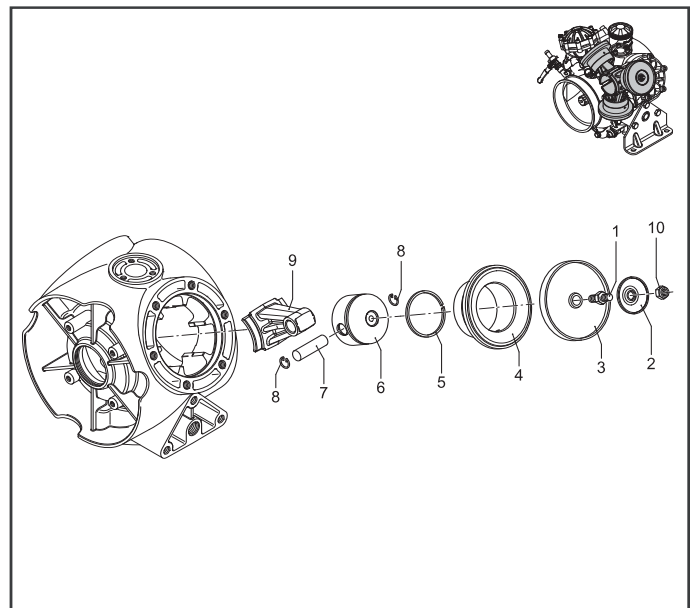
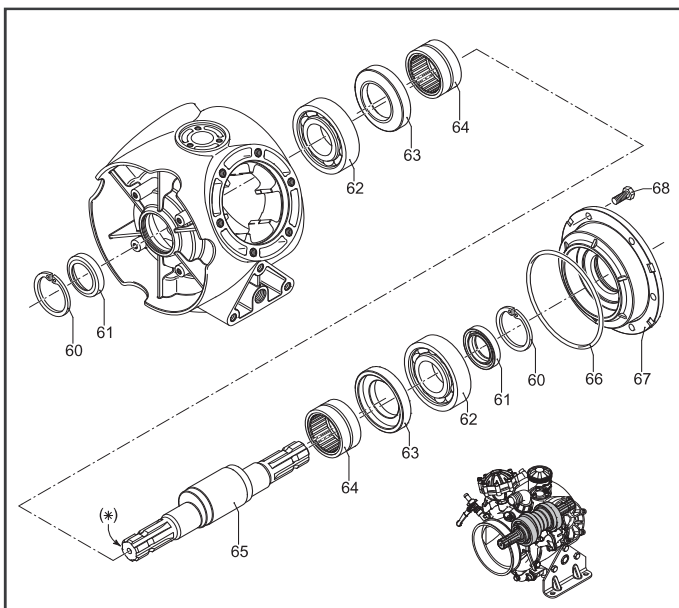
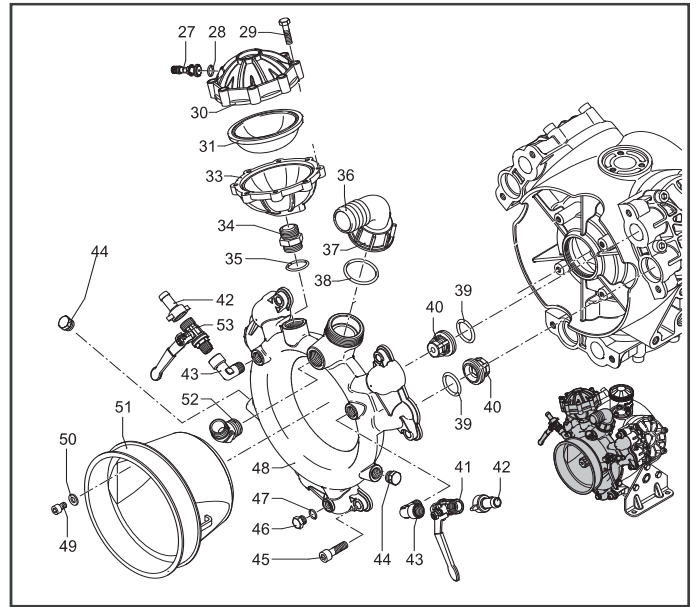
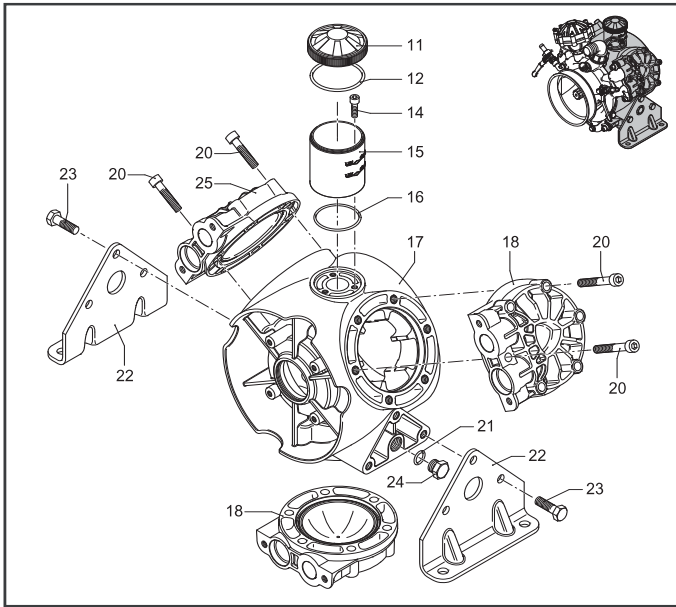


Parts Illustrations for Models 9910-DBA110 and 9910-DBA140



NOTE: From manifold side, heads on right side are marked with a "D" (#18) and heads on left side are marked with an "S" (#25).

Parts List for Models 9910-DBA110 and 9910-DBA140

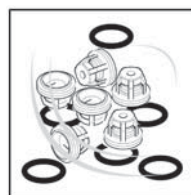
REF. NO.	PART NUMBER	DESCRIPTION	QTY. REQ'D
1	9910-2240100	Diaphragm pin	3
2	9910-580090	Retaining washer	3
3	9910-2240080	Diaphragm, Buna	3
4	9910-2240510	Sleeve DBA110	3
4	9910-2240520	Sleeve DBA140	3
5	9910-260230	Piston ring DBA110	3
5	9910-2240360	Piston ring DBA140	3
6	9910-2240060	Piston DBA110	3
6	9910-2240350	Piston DBA140	3
7	9910-260700	Piston pin DBA110	3
7	9910-540070	Piston pin DBA140	3
8	9910-160691	Pin ring	6
9	9910-2240090	Connecting rod	3
10	9910-2240110	Nut	3
11	9910-1800060	Black cap DBA110	1
11	9910-750050	Red cap DBA140	1
12	9910-1040060	O-Ring	1
14	9910-540290	M8x25 Bolt	3
15	9910-2240070	Oil sight glass	1
16	9910-2240270	O-Ring	1
17	9910-2240010	Pump body DBA110	1
17	9910-2240011	Pump body DBA140	1
18	9910-2240450	Right head (D)	2
20	9910-2240470	M12x70 Bolt	18
21	9910-180101	O-Ring	1
22	9910-2240190	Base	2
23	9910-540100	M12x40 Bolt	6
24	9910-820361	Plug	2
25	9910-2240451	Left head (S)	1
27	9910-180020	Air valve	1
28	9910-650542	Gasket	1
29	9910-621781	M8x40 Bolt	8
30	9910-629211	Upper air chamber	1
31	9910-550190	Air chamber diaphragm -Buna	1
33	9910-2240481	Lower air chamber	1
34	9910-2240490	Threaded Adaptor	8
35	9910-720030	O-Ring	1
36	9910-540550	Elbow 1-1/2"	1
37	9910-540540	Ring nut	1
38	9910-250310	O-Ring	1
39	9910-680070	O-Ring	6
40	9910-759051	Complete valve	6
41	9910-130491	Right valve	1
42	9910-110130	Hose barb 1/2"	2
43	9910-2240260	Valve elbow	2
44	2406-0023	Plug	2
45	9910-650330	M10x35 Bolt	6

REF. NO.	PART NUMBER	DESCRIPTION	QTY. REQ'D
46	9910-880581	Cap, brass	1
47	9910-820510	O-Ring	1
48	9910-2240461	Manifold	1
49	9910-850250	M8x12 Bolt	4
50	9910-390311	Washer	4
51	9910-1500470	Shield	1
52	9910-851650	Outlet elbow	1
53	9910-KIT2497	Left valve	1
60	9910-2240160	Snap ring	2
61	9910-2240150	Seal ring	2
62	9910-2240430	Bearing	2
63	9910-2240121	Con rod ring	2
64	9910-850320	Roller bearing	2
65	9910-2240173	Crankshaft	1
66	9910-2240290	O-ring	1
67	9910-2240020	Flange	1
68	9910-160670	M10x25 Bolt	6



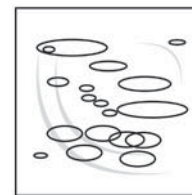
**9910-KIT2444
Diaphragm Kit**

REF. NO.	QTY.
3	3



**9910-KIT2445
Valve Kit**

REF. NO.	QTY.
39	6
40	6



**9910-KIT2446
O-Ring Kit**

REF. NO.	QTY.
12	1
16	1
21	2
35	1
38	1
39	6
47	1
66	1

REF. NO.	DESCRIPTION	Tightening Torque	
		In Lbs.	Nm
1	Dia. Pin	262.5	29.4
10	Nut	262.5	29.4
14	Bolt	87.5	9.8
20	Bolt	435.5	49.0
23	Bolt	435.5	49.0
24	Plug	171.4	19.6
27	Air valve	34.5	3.9
29	Bolt	171.4	19.6
44	Plug	171.4	19.6
45	Bolt	350.0	39.2
46	Brass cap	171.4	19.6
49	Bolt	87.5	9.8
68	Bolt	350.0	39.2