

Models 9910-D50, D50AP-A, & D50-B

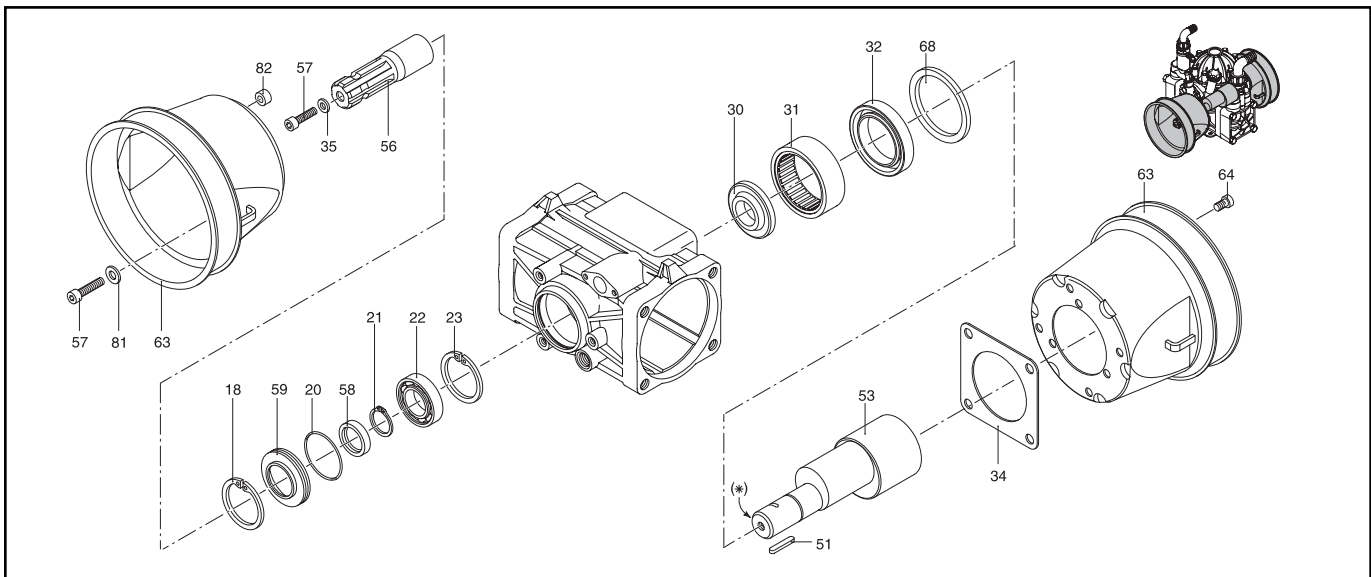
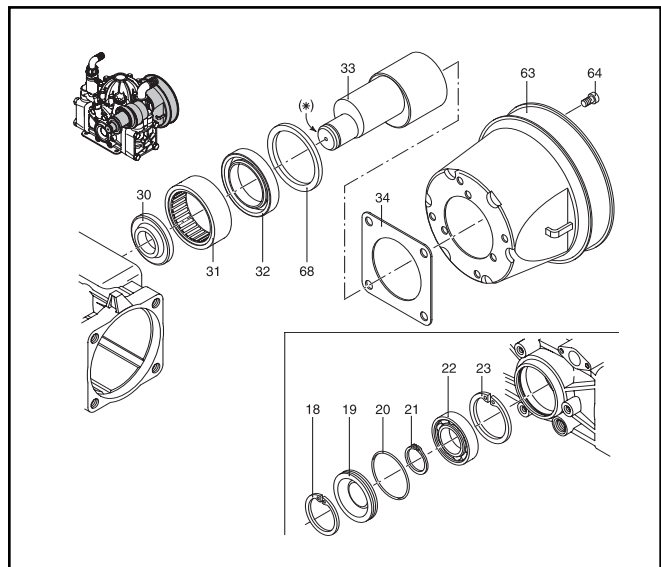
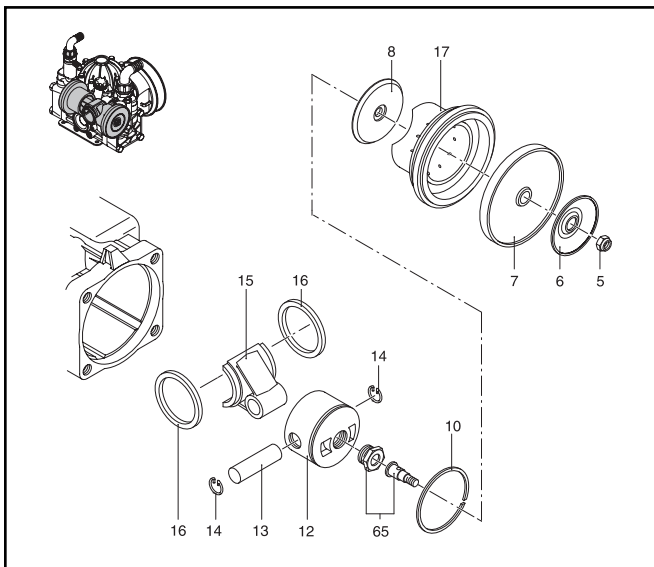
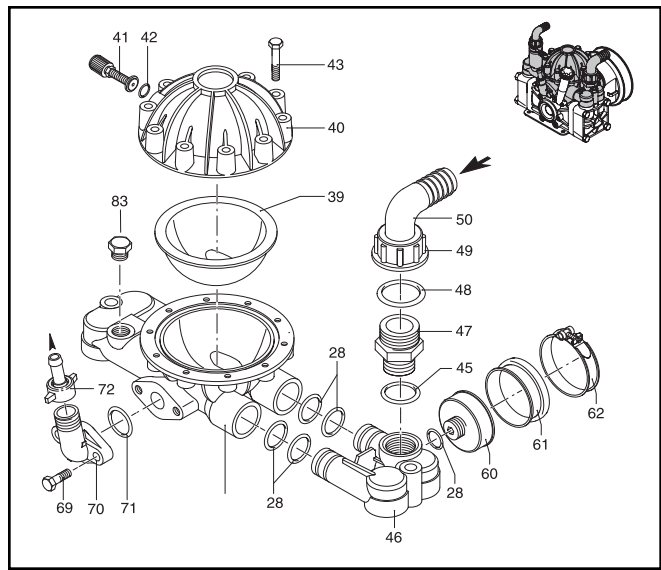
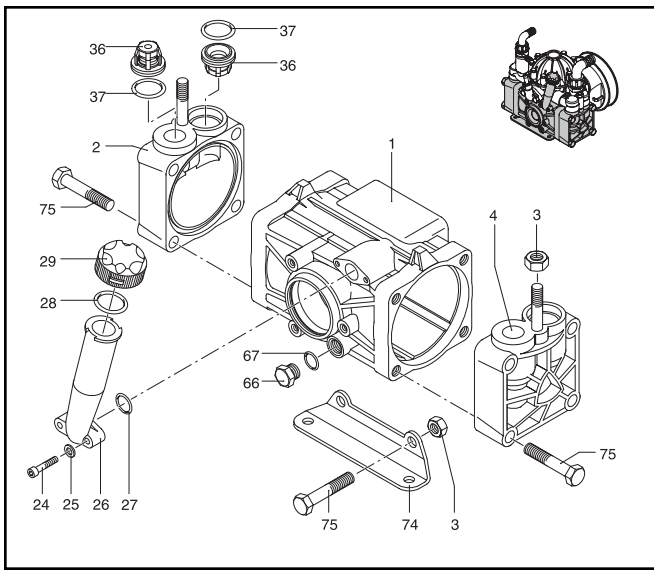


Figure 30

Form L-1382 (09/10)

Models 9910-D50, D50AP-A, & D50-B

| Ref. No. | Part Number | Description | Qty. |
|---------------------|--------------|---|------|
| 1 | 9910-659011 | Pump body | 1 |
| 2 | 9910-650102 | Left head SX | 1 |
| 3 | 9910-320130 | Nut | 4 |
| 4 | 9910-650101 | Right head DX | 1 |
| 5 | 9910-160311 | M 8 H 10 Nut | 2 |
| 6 | 9910-650390 | Retaining washer | 2 |
| 7 ² | 9910-650085 | Diaphragm Desmopan (Std.) | 2 |
| 7 | 9910-650082 | Diaphragm Buna-N (Opt.) | 2 |
| 7 | 9910-65008T | Diaphragm Buna-N with Teflon Coating (Opt.) | 2 |
| 8 | 9910-650090 | Diaphragm support washer | 2 |
| 10 | 9910-650190 | Piston ring | 2 |
| 12 | 9910-650121 | Piston | 2 |
| 13 | 9910-650071 | Piston pin | 2 |
| 14 | 9910-160691 | Retainer ring | 4 |
| 15 | 9910-650142 | Connecting rod | 2 |
| 16 | 9910-650130 | Con rod rings | 2 |
| 17 | 9910-650111 | Sleeve | 2 |
| 18 | 9910-200390 | Retainer ring | 1 |
| 19 | 9910-650040 | Pump body cover | 1 |
| 20 ¹ | 9910-650920 | O-Ring | 1 |
| 21 | 9910-650480 | Retainer ring | 1 |
| 22 | 9910-230330 | Bearing | 1 |
| 23 | 9910-161050 | Retainer ring | 1 |
| 24 | 9910-850850 | Bolt | 2 |
| 25 | 9910-550331 | Washer | 2 |
| 26 | 9910-650030 | Oil Sight Glass | 1 |
| 27 ¹ | 9910-180101 | O-Ring | 2 |
| 28 ¹ | 9910-550040 | O-Ring | 5 |
| 29 | 9910-550056 | Sight Glass cap | 1 |
| 30 | 9910-650160 | Bearing spacer | 1 |
| 31 | 9910-650200 | Roller bearing | 1 |
| 32 | 9910-1400150 | Shaft seal | 1 |
| 33 | 9910-650170 | Shaft | 1 |
| 34 | 9910-1400140 | Flange | 1 |
| 35 | 9910-961340 | Washer | 1 |
| 36 ³ | 9910-659050 | Complete valve | 4 |
| 37 ^{2,3,1} | 9910-320030 | O-Ring | 4 |
| 38 | 9910-659204 | Complete lower air chamber | 1 |

- ¹ Denotes O-Ring Kit 9910-KIT1919
- ² Denotes Diaphragm Kit (Desmopan) 9910-KIT1725
- ³ Denotes Valve Kit 9910-KIT1920

| Ref. No. | Description | Tightening Torque | |
|----------|-------------|-------------------|------|
| | | In. Lbs. | Nm |
| 3 | Nut | 271.0 | 29.4 |
| 5 | Nut | 171.4 | 19.6 |
| 43 | Bolt | 171.4 | 19.6 |
| 57 | Bolt | 171.4 | 19.6 |
| 64 | Bolt | 87.5 | 9.8 |
| 66 | Plug | 171.4 | 19.6 |
| 69 | Plug | 171.4 | 19.6 |
| 75 | Bolt | 435.0 | 49.0 |

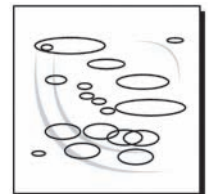
| Ref. No. | Part Number | Description | Qty. |
|-----------------|--------------|------------------------------------|------|
| 39 ² | 9910-650520 | Air chamber diaphragm | 1 |
| 39 | 9910-65052T | Air chamber diaphragm-Teflon(Opt.) | 1 |
| 40 | 9910-659206 | Upper air chamber | 1 |
| 41 | 9910-180020 | Air valve (includes #42) | 1 |
| 42 ¹ | 9910-650542 | Gasket | 1 |
| 43 | 9910-621780 | M8 x 40 Bolt | 10 |
| 45 ¹ | 9910-390290 | O-Ring | 1 |
| 46 | 9910-650150 | Suction manifold | 1 |
| 47 | 9910-450120 | Threaded adapter | 1 |
| 48 | 9910-390290 | O-Ring | 1 |
| 49 | 9910-580060 | Ring nut | 1 |
| 50 | 9910-580040 | Hose barb 1-1/4" | 1 |
| 51 | 9910-650250 | Key | 1 |
| 53 | 9910-650171 | Through-shaft (AP-A) | 1 |
| 56 | 9910-650300 | PTO shaft adapter | 1 |
| 57 | 9910-680350 | Bolt | 4 |
| 58 | 9910-650490 | Seal (AP-A model) | 1 |
| 59 | 9910-650041 | Spacer (AP-A model) | 1 |
| 60 | 9910-650660 | Diaphragm holder | 1 |
| 61 | 9910-650670 | Dampener diaphragm | 1 |
| 62 | 9910-650690 | Clamp | 1 |
| 63 | 9910-1500350 | Plastic shield | 2 |
| 64 | 9910-820670 | M10 x 16 Bolt | 4 |
| 65 | 9910-659080 | Complete bushing | 2 |
| 66 | 2406-0023 | Drain plug, oil | 1 |
| 67 ¹ | 9910-740290 | O-Ring | 1 |
| 68 | 9910-1400110 | Flange | 1 |
| 69 | 9910-540290 | M8 x 25 Bolt | 2 |
| 70 | 9910-450145 | Discharge flange housing | 1 |
| 71 ¹ | 9910-550350 | O-Ring | 1 |
| 72 | 9910-110130 | Hose barb and Nut 1/2" | 1 |
| 74 | 9910-320392 | Base | 2 |
| 75 | 9910-750060 | M12 x 65 Bolt | 10 |
| 81 | 9910-380241 | Washer | 3 |
| 82 | 9910-1200521 | Spacer | 3 |
| 83 | 9910-820361 | Plug | 1 |



| 9910-KIT1725 Diaphragm Kit Desmopan | |
|---|------|
| Ref. No. | Qty. |
| 72 | 2 |
| 37 | 4 |
| 39 ² | 1 |



| 9910-KIT1920 Valve Kit | |
|---------------------------|------|
| Ref. No. | Qty. |
| 36 | 4 |
| 37 | 4 |



| 9910-KIT1919 O-Ring Kit | |
|----------------------------|------|
| Ref. No. | Qty. |
| 20 | 1 |
| 27 | 2 |
| 28 | 5 |
| 37 | 4 |
| 42 | 1 |
| 45 | 1 |
| 67 | 1 |
| 71 | 1 |