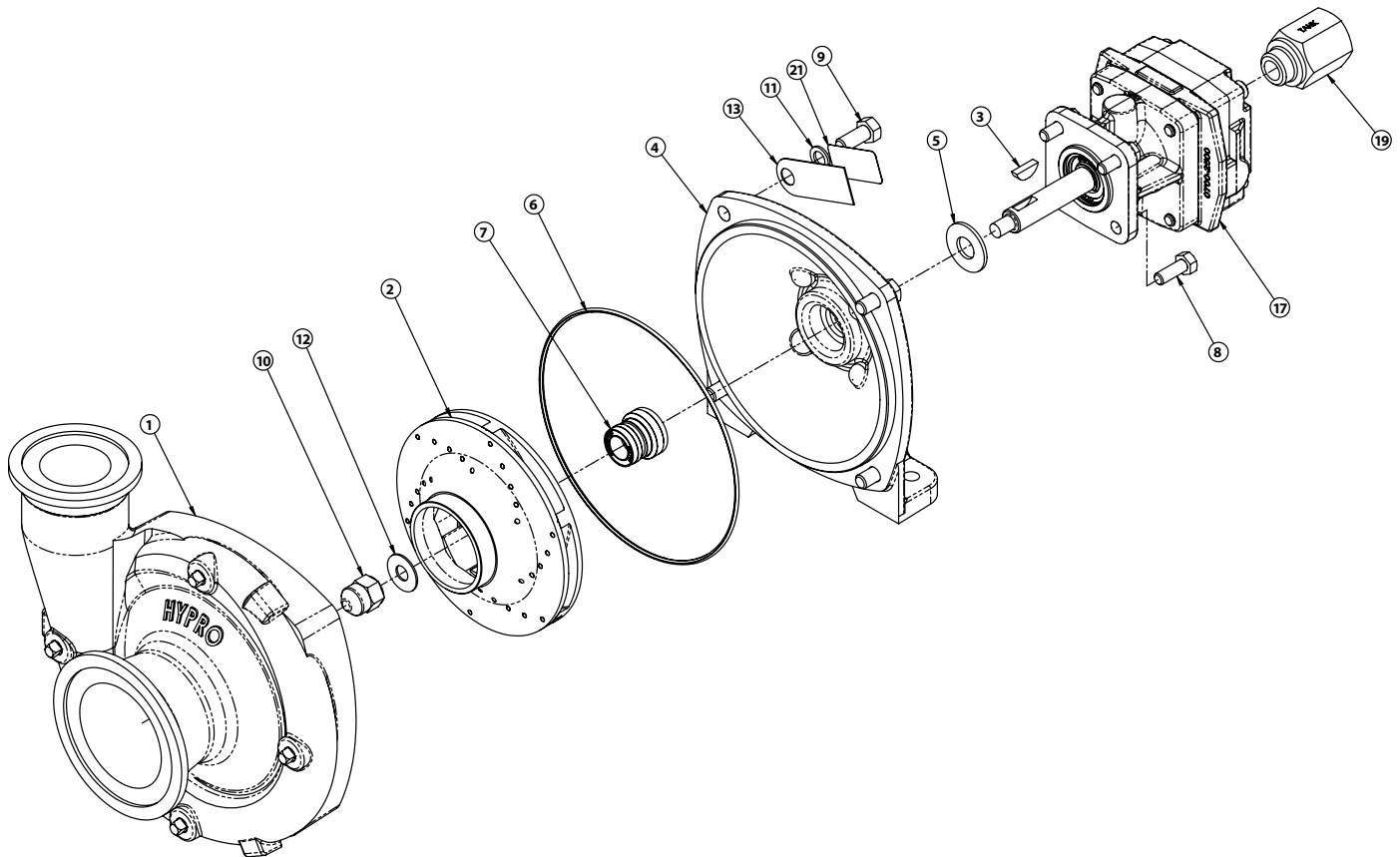


# HYPRO® 93100 & 9306 SERIES REPAIR PARTS



Ref #	Req	Part #	Description	Ref #	Req	Part #	Description
1	1	0158-9200S	PUMP CASING-COMplete	12	1	2270-0071	IMPELLER WASHER
1B	1	0157-9200C	220 FLANGE CAST IRON	13	1	2270-0076	TAG
1C	1	0154-9200S1	2" FPT x 1 1/2" FPT SS	14	1	2300-0047	PORT CAP, 2" FLANGE
1D	1	0154-9200C1	2" FPT x 1 1/2" FPT Cast Iron	15	1	2300-0048	PORT CAP, 3" FLANGE
2	1	0405-9200P2	IMPELLER (CW ROTATION)	16	1	2300-0050	PORT PLUG, SAE-8
3	1	04432-SHW	NON-ROCKING WOODRUFF KEY	17	1	2500-0081C	MOTOR-HYD HM1
4	1	0756-9300S	MOUNTING FLANGE	18	1	3031-0134	CARTON - INDIVIDUAL
5	1	1410-0056	SLINGER SEAL	19	1	3320-0052A	CHECK VALVE ASSY - TANK PORT
6	1	1720-0083	O-RING	20	1	3435-0171	PACKING KIT
7	1	3430-0589	SEAL, MECHANICAL	21	1	6031-0325	DECAL
8	4	2210-0005	CAP SCREW, HEX HEAD	22	1	6031-0340	LABEL READY FOR ROUND UP
9	4	2210-0125	SCREW, HEX HEAD CAP	23	1	6031-0343	INSTRUCTION TAG
10	1	2253-0006	NUT, CAP	24	1	6031-0373	CE STICKER LABEL
11	1	2270-0041	WASHER	25	2	6031-0451	LABEL, 2.625 X 4.0