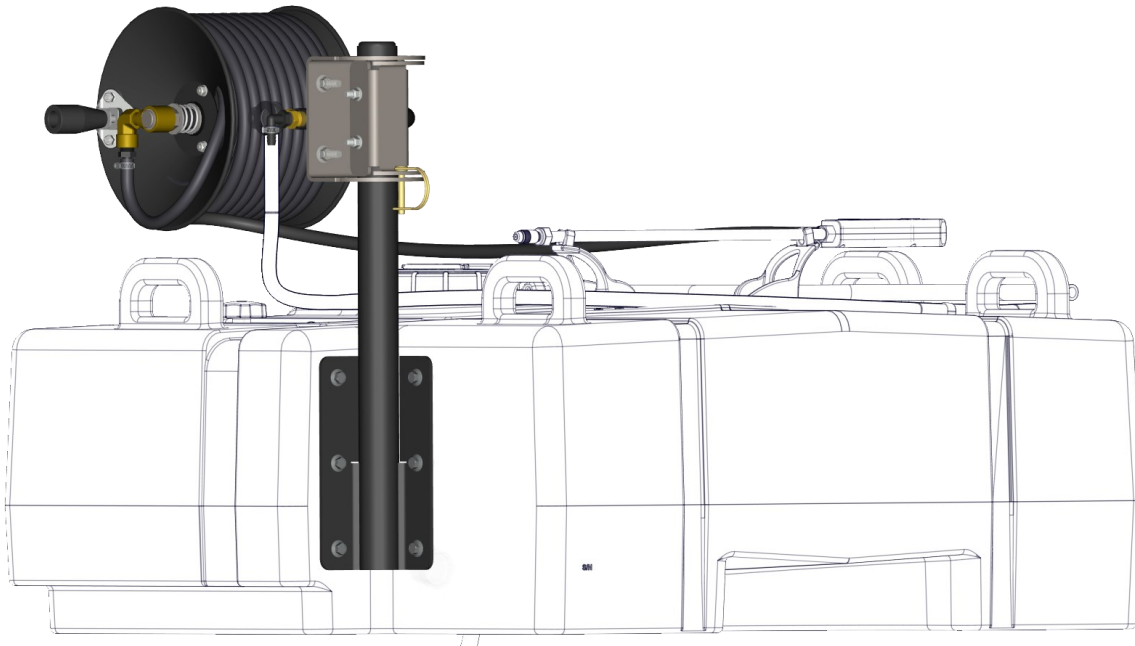


# OWNER'S MANUAL



IF YOU SHOULD HAVE A QUESTION OR EXPERIENCE A PROBLEM WITH YOUR AG SPRAY PRODUCT GIVE US A CALL

<b>BAKERSFIELD, CA</b> 877-724-2236	<b>COLUMBUS, NE</b> 800-274-1025	<b>DOTHAN, AL</b> 800-227-4098
<b>GREENWOOD, MS</b> 800-844-4524	<b>HOPKINSVILLE, KY</b> 800-637-7172	<b>NEWTON, KS</b> 800-394-7662
<b>OTHELLO, WA</b> 800-634-2026	<b>TEMPE, AZ</b> 877-974-7166	

**BEFORE YOU CALL, PLEASE HAVE THE FOLLOWING INFORMATION AVAILABLE: SALES RECEIPT & MODEL NUMBER. IN MOST CASES, AN AG SPRAY EMPLOYEE CAN RESOLVE THE PROBLEM OVER THE PHONE**

## General Information

Thank you for purchasing this product. The purpose of this manual is to assist you in operating and maintaining your hose reel kit. Please read it carefully, as it furnishes information which will help you achieve years of trouble-free operation.

## Warranty

**Retain a copy of your receipt for your unit, as it will be required to validate any warranty service. Products are warranted against manufacturer or workmanship defects for one year from date of purchase for home owner usage and 90 days for commercial usage.**

For technical assistance, visit our website @ [www.agspray.com](http://www.agspray.com) or call: Toll Free to one of the above phone numbers

Our Technical Support Representatives will be happy to help you. To obtain prompt, efficient service, always remember to give the following information...

- Correct Part Description and/or part number
  - Model #/Serial # of your sprayer

Part descriptions and numbers can be obtained from the illustrated parts list section(s) of this manual.

## UTV Hose Reel Kit FSUTV-HR-50 (5302919) (For 45 or 65 Gallon UTV Tanks)

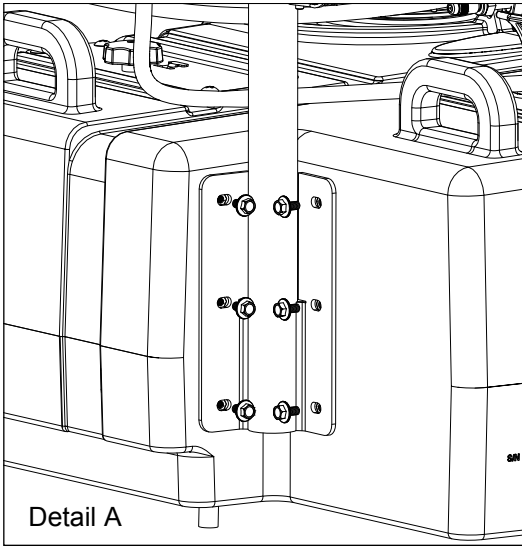
## Technical Specifications

- General Pump D30001
- 50' of 3/8" Hose

**NOTE:** It is important for to test with plain water before using it with chemicals. This will enable you to check for leaks without the possibility of losing any expensive chemicals.



[www.agspray.com](http://www.agspray.com)



**Assembly**

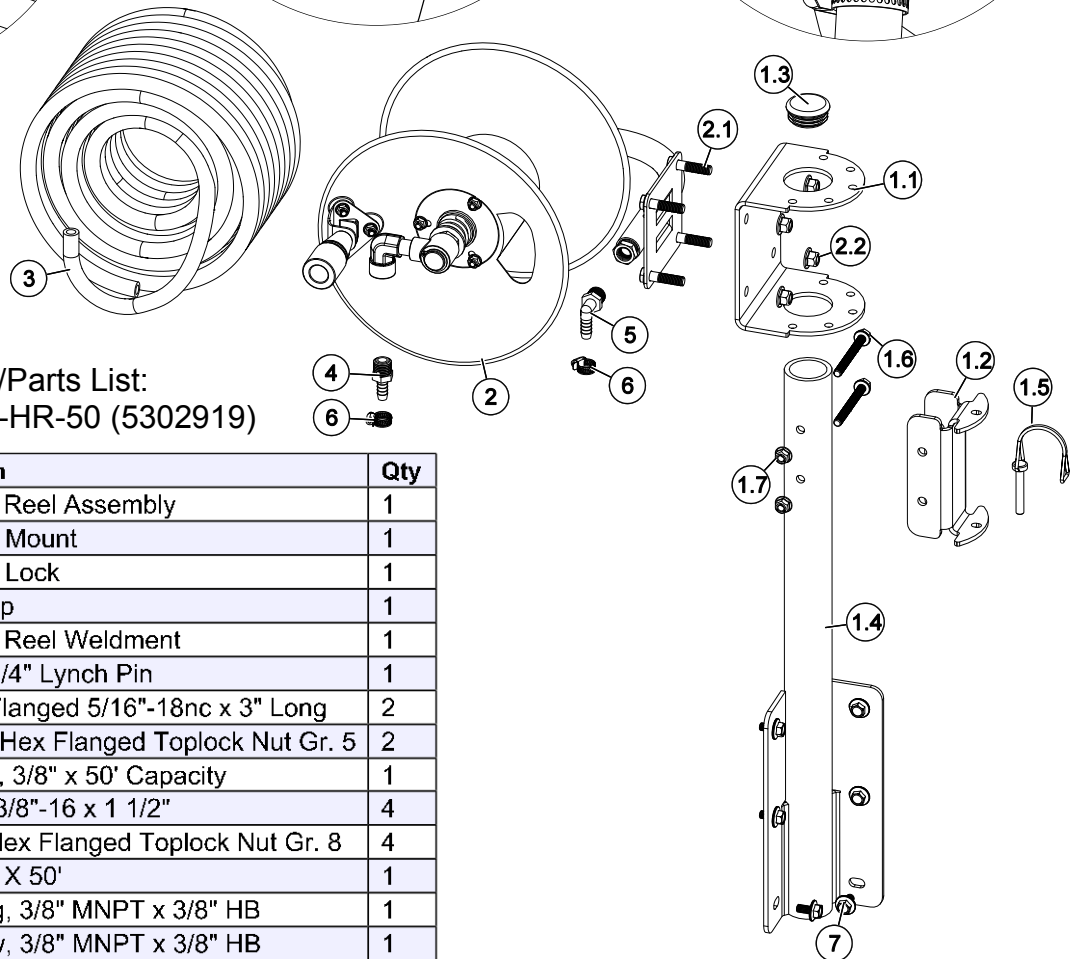
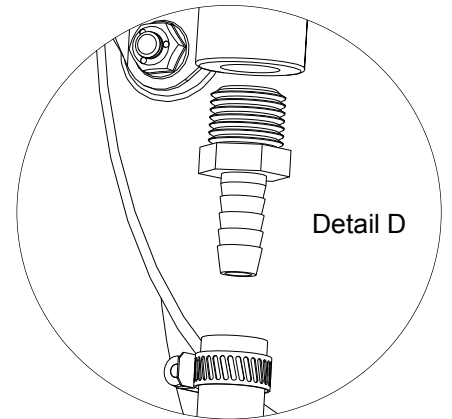
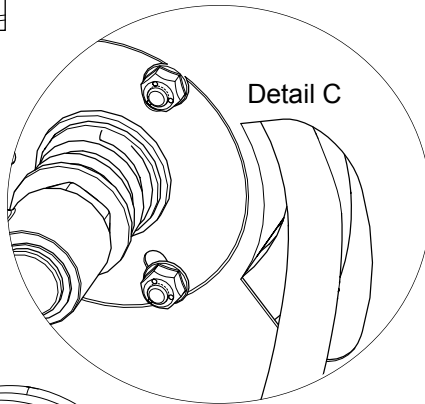
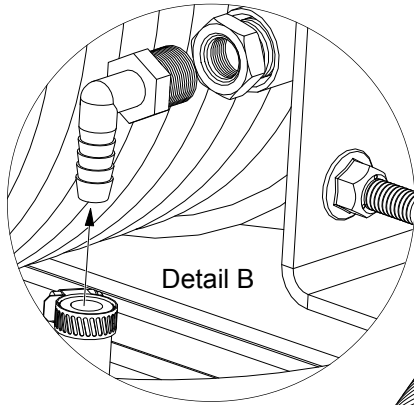
Detail A: Attach the UTV hose reel assembly to the back right side of the UTV tank, using the (6) 5/16"-18 x 5/8" bolts.  
Assemble the hose reel per the instructions included in the General Pump D30001 box.

Detail B: Thread the 3/8" MNPT x 3/8" hose barb poly elbow (using plumber's Teflon tape on the threads) into the input connection of the reel. Attach the 25' hose that came with your UTV unit to the poly elbow and secure with a hose clamp.

Detail C: Slip one end of 3/8" x 50' hose through opening in reel.

Detail D: Thread the 3/8" x 3/8" poly fitting (using plumber's Teflon tape on the threads) into the hose reel input. Attach the end of hose from Detail C to the poly fitting and secure with a hose clamp.

The hose reel is now assembled and ready for use.



Exploded View/Parts List:  
Hose Reel Kit: FSUTV-HR-50 (5302919)

Ref. #	Part #	Description	Qty
1	5302887	UTV Hose Reel Assembly	1
1.1	5095925	Hose Reel Mount	1
1.2	5027941	Hose Reel Lock	1
1.3	5046449	2" Pipe Cap	1
1.4	5280953	UTV Hose Reel Weldment	1
1.5	5101260	5/16" x 1-3/4" Lynch Pin	1
1.6	5034644	H.H.C.S. Flanged 5/16"-18nc x 3" Long	2
1.7	5006389	5/16-18nc Hex Flanged Toplock Nut Gr. 5	2
2	5020577	Hose Reel, 3/8" x 50' Capacity	1
2.1	5034072	H.H.C.S., 3/8"-16 x 1 1/2"	4
2.2	5006366	3/8-16nc Hex Flanged Toplock Nut Gr. 8	4
3	5020159	Hose, 3/8" X 50'	1
4	5067135	Poly Fitting, 3/8" MNPT x 3/8" HB	1
5	5010200	Poly Elbow, 3/8" MNPT x 3/8" HB	1
6	5051144	Hose Clamp, 3/8"	2
7	5034531	5/16"-18 x 5/8" Flange Lock Screw	6