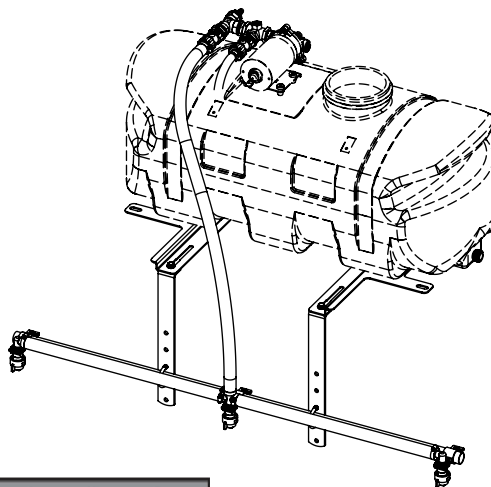


OWNER'S MANUAL

Model: BA3RK

(3-Nozzle Boom Assembly with Brackets/Hardware & Connecting Fittings)



NOTE:
Tank & pump are shown, but
NOT included in this assembly.

Technical Specifications

- 3-Nozzle Boom Assembly
- 80" Spray Coverage
- Corrosion-Resistant Nozzles
- Mounting brackets/hardware

**BEFORE RETURNING THIS PRODUCT
FOR ANY REASON, PLEASE CALL**

HOPKINSVILLE, KY: 800-637-7172

DOTHAN, AL: 800-227-4098

GREENWOOD, MS: 800-844-4524

**IF YOU SHOULD HAVE A QUESTION OR EXPERIENCE A
PROBLEM WITH YOUR AG SPRAY PRODUCT GIVE US A CALL.**

**BEFORE YOU CALL, PLEASE HAVE THE FOLLOWING
INFORMATION AVAILABLE: SALES RECEIPT & MODEL
NUMBER. IN MOST CASES, AN AG SPRAY EMPLOYEE
CAN RESOLVE THE PROBLEM OVER THE PHONE.**

General Information

Thank you for purchasing this Ag Spray product. The purpose of this manual is to assist you in operating and maintaining your boom kit. Please read it carefully, as it furnishes information which will help you achieve years of trouble-free operation.

Warranty/Parts/Service

Products are warranted for one year from date of purchase against manufacturer or workmanship defects.

Commercial users have a 90 day warranty.

Your authorized dealer is the best source of replacement parts and service. To obtain prompt, efficient service, always remember to give the following information...

- Correct Part Description and/or part number.
- Model number/Serial number of your sprayer.

Part descriptions and part numbers can be obtained from the illustrated parts list section(s) of this manual.

Whenever you need parts or repair service, contact your distributor/dealer first. For warranty work, always take your original sales slip, or other evidence of purchase date, to your distributor/dealer.

Assembly

Remove the parts to the boom assembly from the carton. Refer to the parts list and exploded view drawing to help identify all the components.

1. Attach the tank to the brackets loosely.
2. Place the sprayer onto the carrier rack of the ATV. Use the u-bolts and hardware to secure the tank mount to the rack.
3. Connect the boom mounting brackets to the tank mounting brackets with hardware provided as shown. Note these brackets will be located about 16 1/4" apart on most ATV's. Now tighten all bolts and nuts.
4. Center the center section of the boom onto your boom mounts, and secure in place with the hardware provided. Be sure that the outer booms will fold 'backwards'. The boom should be about 17"-19" above the ground.
5. Attach the nozzle harness assembly to the boom.
6. Route your boom feeder hose to the back end of the sprayer. Join the hose to the tee barb. Then clamp in place with a hose clamp.

CAUTION: Never use a metal object or other sharp item for cleaning a nozzle tip. It is better to use a nozzle brush (NOT wire brush) or compressed air for tip cleaning.



**AG SPRAY
EQUIPMENT**

www.agspray.com

1100 New Industry Lane Hopkinsville, KY 42240 P: 800-637-7172 F: 270-885-7392
104 Eastman Street Greenwood, MS 38930 P: 800-844-4524 F: 662-455-4442
1563 S. Oates Street Dothan, AL 36301 P: 800-227-4098 F: 334-673-1974

Form No. 1909 [5008223 (11/09)] Printed in the U.S.A.

Testing the Sprayer

NOTE:

It is **VERY important for you to test your sprayer with plain water before actual spraying is attempted. This will enable you to check the sprayer for leaks, without the possibility of losing any expensive chemicals.**

Add water to the tank & drive to the starting place for spraying. When you are ready to spray, turn the boom valve to the "on" position. This will start solution spraying from the tips of the boom. The pressure will decrease slightly when the boom is spraying. Adjust the pressure by turning the "ON/OFF" valve lever on the bypass line valve.

Read the operating instructions, and Initially begin spraying by closing the 'bypass' valve and opening the boom line valve. This will enable the air in the line to be eliminated (purged) through all the tips, while building pressure. When everything tests all right (no leaks, & good pressure), add the desired chemicals to the mixture and water combination and start your spraying operation. Adjust the pressure and spray as you did in the testing procedure.

Conditions of weather and terrain must be considered when setting the sprayer. Do not spray on windy days. Protective clothing must be worn in some cases.

Be sure to read the chemical label(s) correctly!

After Spraying

After use, fill the sprayer tank part way with water. Start the sprayer, and allow the clear water to be pumped through the plumbing system and out through the spray nozzles. Refill the tank about half full with plain water and use a chemical neutralizer, such as 'Nutra-Sol', or equivalent, and repeat cleaning instructions above. A mix of water and some detergent, such as 'Dawn' dish soap would be a sufficient alternative.

Flush the entire sprayer with the neutralizing/cleaning agent, then flush out one more time with plain water. Follow the chemical manufacturer's disposal instructions of all wash or rinsing water.

For the boom, (if applicable) remove the tips and screens from the nozzle assemblies. Wash these items out thoroughly. Blow the orifice clean and dry. If the orifice remains clogged, clean it with a fine bristle (NOT WIRE) brush, or with a toothpick. Do not damage the orifice. Water rinse and dry the tips before storing.

WARNING: Some chemicals will damage the pump valves if allowed to soak untreated for a length of time! ALWAYS flush the pump as instructed after each use.

Speed Chart			
	Time Required in seconds to travel a distance of:		
Speed in M.P.H. (Miles per Hour)	100 Ft.	200 Ft.	300 Ft.
1.0	68 sec.	136 sec.	205 sec.
2.0	34	68	102
3.0	23	45	68
4.0	17	34	51
5.0	14	27	41
6.0	11	23	34
7.0	9.7	19	29
8.0	8.5	17	26
9.0	7.6	15	23
10.0	6.8	14	20

Calibration

Chemical labels may show application rates in gallons per acre, gallons per 1000 square feet, or gallons per 100 square feet. You will note that the tip chart shows all 3 of these rating systems.

Once you know how much you are going to spray, then determine (from the tip chart) the spraying pressure (PSI), and the spraying speed (MPH).

Determining the proper speed of the pulling vehicle can be done by marking off 100, 200, & 300 feet. The speed chart indicates the number of seconds it takes to travel the distances. Set the throttle and with a running start, travel the distances. Adjust the throttle until you travel the distances in the number of seconds indicated by the speed chart. Once you have reached the throttle setting needed, mark the throttle location so you can stop and go again, returning to the same speed.

Add water and proper amount of chemical to the tank and drive to the starting place for spraying.

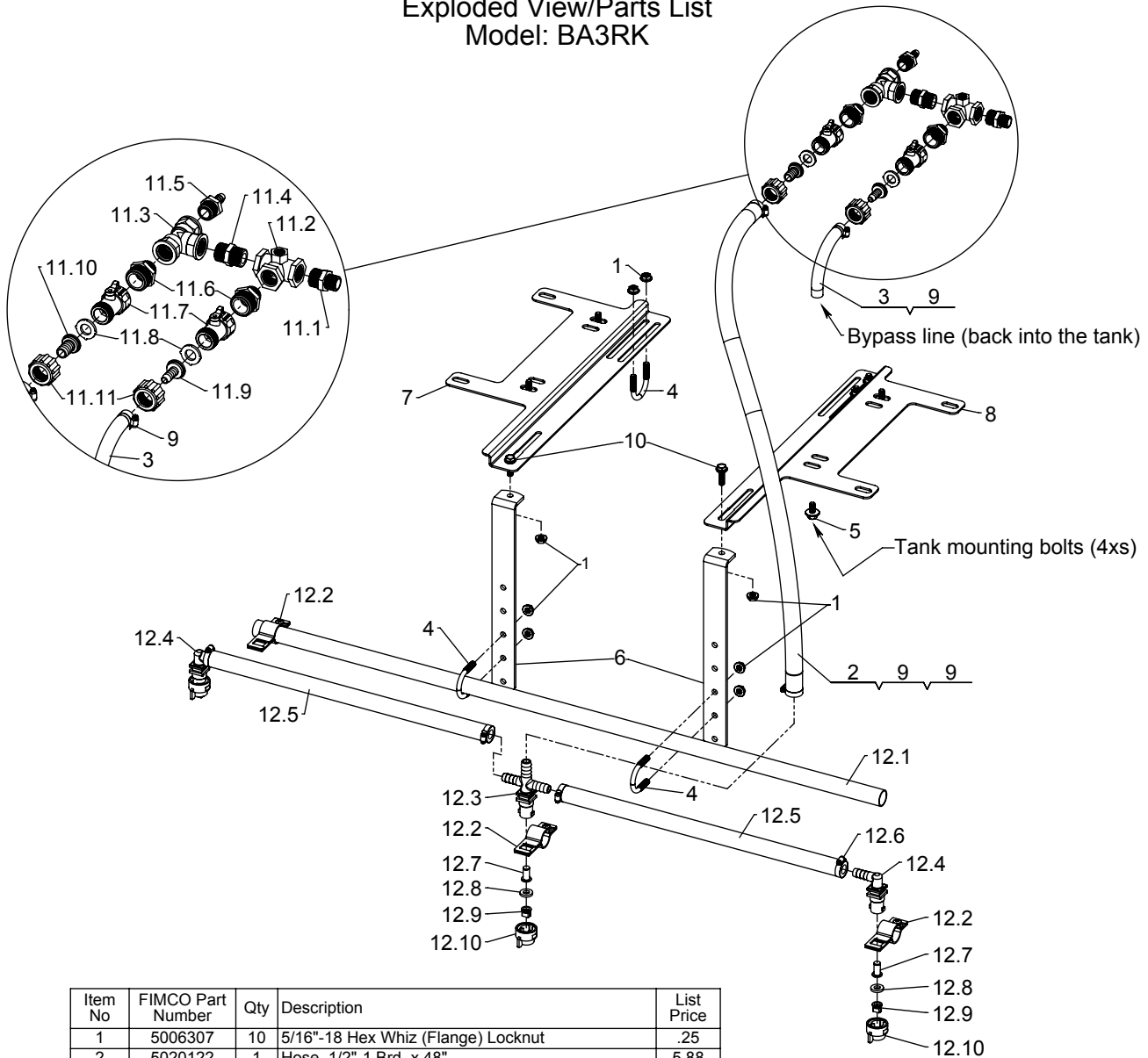
Winter Storage

Drain all water out of your sprayer, paying special attention to the pump, handgun, and valve(s). These items are especially prone to damage from chemicals and freezing weather.

The sprayer should be winterized before storage by pumping a solution of RV antifreeze through the entire plumbing system. This antifreeze solution should remain in the plumbing system during the winter months. When spring time comes and you are preparing your sprayer for the spray season, rinse the entire plumbing system out, clearing the lines of the antifreeze solution. Proper care and maintenance will prolong the life of your sprayer.

Rate Chart for 8002 Spray Tip										
Tip No.	Spray Height	Pressure (psi)	Capacity (GPM)	Gallons Per Acre - Based on Water						
				1 MPH	2 MPH	3 MPH	4 MPH	5 MPH	7.5 MPH	10 MPH
2	18"	20	.14	41.8	20.9	14.0	10.5	8.4	5.6	4.2
		30	.17	51.2	25.6	17.2	12.9	10.3	6.9	5.1
		40	.20	59.2	29.6	19.8	14.9	11.9	7.9	5.9
		50	.23	66.4	33.2	22.2	16.6	13.3	8.8	6.6
Tip No.	Spray Height	Pressure (psi)	Capacity (GPM)	Gallons Per 1000 Sq. Ft. - Based on Water						
				1 MPH	2 MPH	3 MPH	4 MPH	5 MPH	7.5 MPH	10 MPH
2	18"	20	.14	.96	.48	.32	.24	.19	.13	.10
		30	.17	1.18	.59	.39	.30	.24	.16	.12
		40	.20	1.36	.68	.45	.34	.27	.18	.14
		50	.23	1.52	.76	.51	.38	.31	.20	.15
Tip No.	Spray Height	Pressure (psi)	Capacity (GPM)	Gallons Per 100 Sq. Ft. - Based on Water						
				1 MPH	2 MPH	3 MPH	4 MPH	5 MPH	7.5 MPH	10 MPH
2	18"	20	.14	.096	.048	.032	.024	.019	.013	.010
		30	.17	.118	.059	.039	.030	.024	.016	.012
		40	.20	.136	.068	.045	.034	.027	.018	.014
		50	.23	.152	.076	.051	.038	.031	.020	.015

Exploded View/Parts List Model: BA3RK



Item No	FIMCO Part Number	Qty	Description	List Price
1	5006307	10	5/16"-18 Hex Whiz (Flange) Locknut	.25
2	5020122	1	Hose, 1/2"-1 Brd. x 48"	5.88
3	5020490	1	Hose, 3/8"-1 Brd. x 7 1/4"	1.25
4	5034220	4	Round U-Bolt, 5/16"-18 x 1 5/16" x 1 3/4"	.50
5	5034531	4	5/16"-18 x 5/8" Flange Lock Screw	.44
6	5038506	2	Boom Mounting Bracket	5.75
7	5038667	1	Tank Mounting Plate (L.H.) (ATV)	11.06
8	5038725	1	Tank Mounting Plate (R.H.) (ATV)	11.06
9	5051114	3	Hose Clamp, 3/8"	.63
10	5117300	2	5/16"-18 x 1" Flange Whiz Lock Screw	.22
11	5277060	1	Plumbing Assembly (SHURflo Pump)	
11.1	5011128	1	Nylon Reducing Nipple, 1/2" MNPT x 3/8" MNPT	.50
11.2	5010193	1	Nylon Tee, 1/2" FNPT w/1/4" Port (Gauge)	3.71
11.3	5010113	1	Nylon "Tee" Fitting, 1/2" FNPT	3.09
11.4	5011054	1	Nylon Close Nipple, 1/2" MNPT	.41
11.5	5067016	1	Nylon Fitting, 1/2" MNPT x 3/8" HB	.50
11.6	5005021	2	Nylon Adapter, 1/2" MNPT x 3/4" MGHT	.62
11.7	5143188	2	Nylon Shut-Off Valve	3.10
11.8	5016066	2	Garden Hose Washer	.20
11.9	5149034	1	Poly Swivel, 3/8" Hose Barb	.50
11.10	5149035	1	Poly Swivel, 1/2" Hose Barb	.50
11.11	5006209	2	Poly Knurled Swivel Nut, 3/4" FGHT	.57
12	5277122	1	Boom Assembly (BA3RK)	
12.1	5009195	1	Boom Tube	5.04
12.2	5272162	3	Vari-Quick Clamp (for 3/4" Round Pipe)	2.57
12.3	5056069	1	Triple Hose Shank (1/2" Hose)	3.92
12.4	5056065	2	Single Hose Shank (1/2" Hose)	3.84
12.5	5020416	2	Hose, 1/2"-1 Brd. x 19 3/8"	2.17
12.6	5051114	4	Hose Clamp, 3/8"	.63
12.7	5116019	3	50 Mesh Nozzle Strainer, Red	1.05
12.8	5016157	3	Seat Washer	.40
12.9	5018265	3	Flat Spray Tip, Yellow	.82
12.10	5046219	3	Quick TeeJet Cap (Yellow)	.61