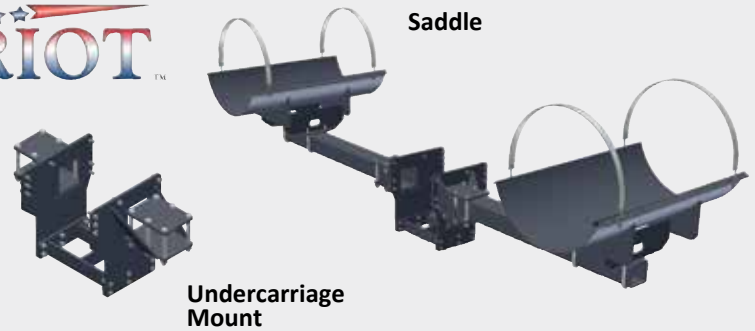
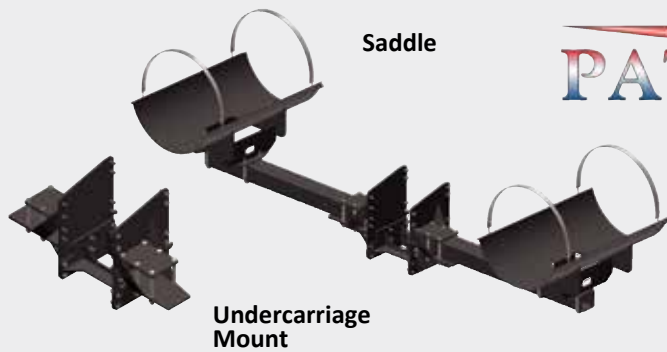




8000 SERIES JOHN DEERE

MX SERIES CASE



STANDARD FEATURES

- 200, 260, 300 And 400 Gal Per Tank Capacity
- Available With Step Up Bars For Tractors With Front Duals
- Parallel Tank Mount Design Allows For Greater Visibility
- High Clearance For Row Crop Applications
- Available Access Step

UNDERCARRIAGE

Three main pieces make up the 8000 series undercarriage. All the pieces are made from 5/8" steel plate and welded with high strength flux core wire.

OPTIONAL ACCESSORIES



CALL FOR OPTIONS AND PRICING

FM 3022



agspray.com

PATRIOT HELICOPTER TANKS

Bakersfield, CA
877.724.2236

Columbus, NE
800.274.1025

Dothan, AL
800.227.4098

Fargo, ND
800.373.4084

Hopkinsville, KY
800.637.7172

Mankato, MN
800.722.9376

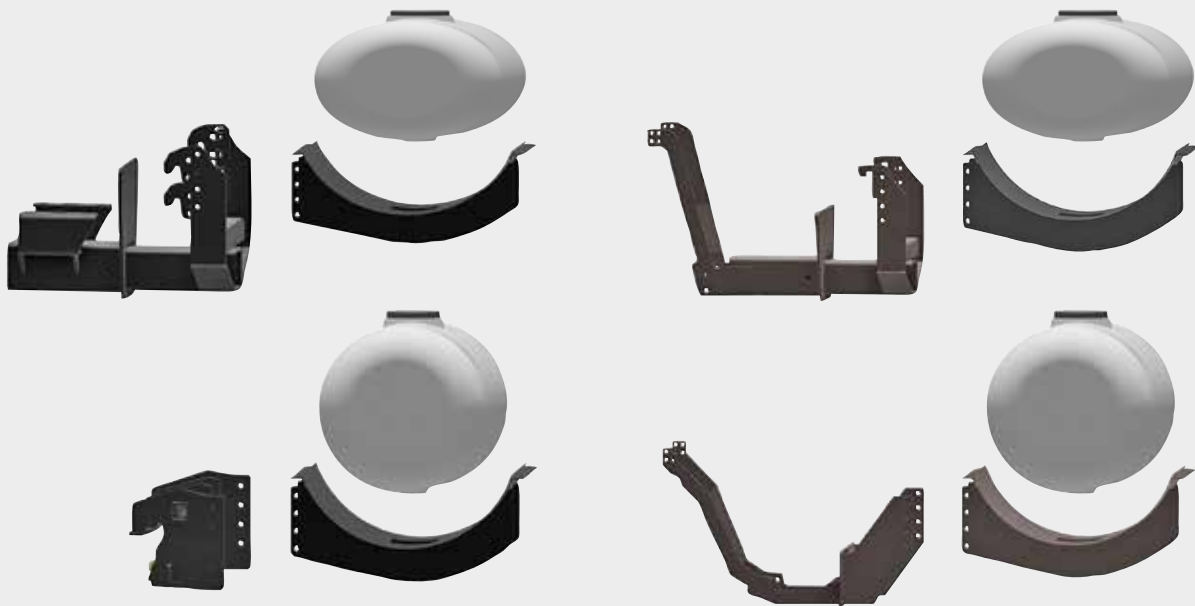
Newton, KS
800.394.7662

Pasco, WA
800.634.2026

Tempe, AZ
877.974.7166



TRACTOR SPECIFIC FRONT MOUNT TANKS



FEATURES

- *200, 300 or 400 Gallon Round Tank
- *200, 300 or 400 Gallon Elliptical Tank
- *Bolster, Nose of Receiver Mount

* Tank Size And Mount Style Limited By Tractor Model

BRACKETS ENGINEERED TO FIT

Agco, Agco White, Buhler Versatile, Case/Ih, Challenger, Ford, John Deere, Massey Ferguson, McCormick, New Holland & Versatile

CALL FOR OPTIONS AND PRICING



agspray.com

PATRIOT FRONT MOUNT TANKS

Bakersfield, CA
877.724.2236

Columbus, NE
800.274.1025

Dothan, AL
800.227.4098

Fargo, ND
800.373.4084

Hopkinsville, KY
800.637.7172

Mankato, MN
800.722.9376

Newton, KS
800.394.7662

Pasco, WA
800.634.2026

Tempe, AZ
877.974.7166